

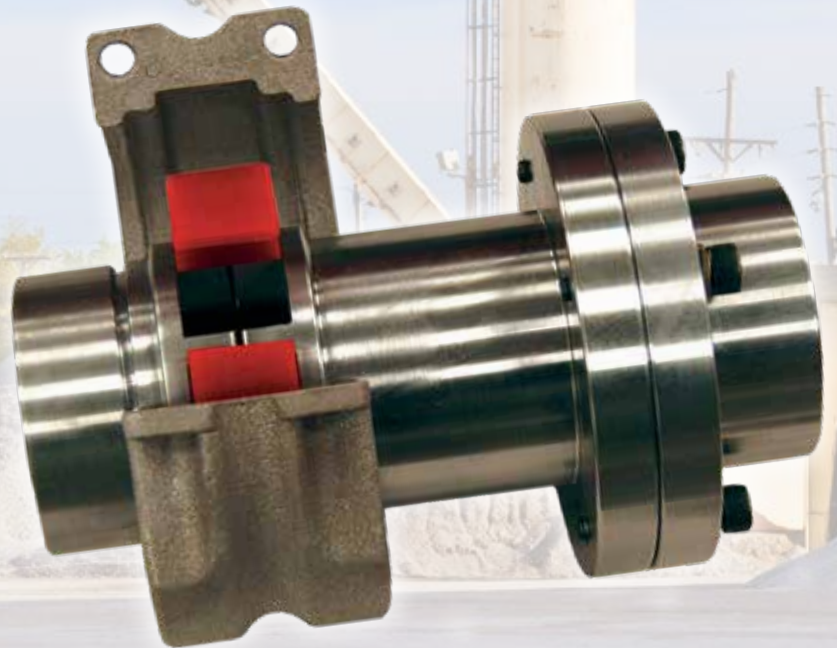


QUICK FLEX[®] Couplings

Single-Ended Spacer Couplings

More Uptime

The QUICK FLEX coupling design helps eliminate mechanical interference between the coupling hubs. It also allows the lubrication free, high performance elastomeric inserts to be replaced easily without removing the hubs or moving the equipment.



FEATURES AND BENEFITS

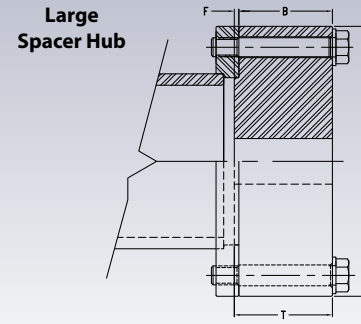
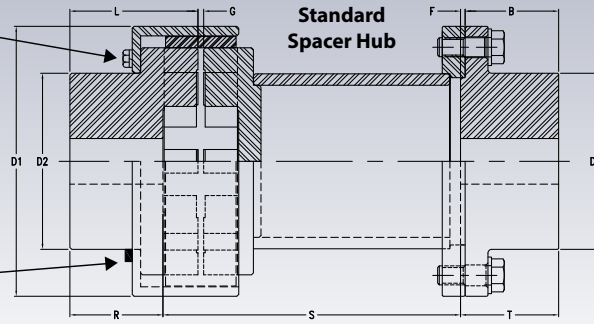
- Spacer lengths available for standard and custom shaft separations
- Absorbs shock loads and equipment vibration
- Up to 2° angular misalignment
- No lubrication necessary
- Easy insert replacement without removing hubs
- Shaft sizes .5 inches to 11.25 inches (10 mm to 286 mm)
- Continuous torque up to 1,657,000 in-lbs (188,00Nm)
- Solid and split covers can handle high speed and high torque
- Alternative for gear couplings
- Reduces operating and maintenance costs

There is no metal to metal contact between opposing hubs with the QUICK FLEX coupling, which puts the wear on the easy replaceable insert, where it should be. Less wearable components, means less spare inventory to keep.

Better Performance. Less Maintenance.

Covers on QF250 and larger are fixed in place by eight bolts.

QUICK FLEX couplings up to QF175 are machined with snap ring grooves to fix the cover in place.



Coupling Series	Pilot-Bore Diameter in	Max Bore Size		Maximum Torque ¹ kNm (in-lb)	B mm (in)	D1 mm (in)	D2 mm (in)	D3 mm (in)	F mm (in)	G-Min mm (in)	G-Max mm (in)	L mm (in)	R mm (in)	S-Max ² mm (in)	T mm (in)
		Std Hub mm (in)	LHUB mm (in)												
QF15	17/32	40 (1-5/8)	45 (1-3/4)	2 34 (2,075)	38.1 (1.50)	80.3 (3.160)	58.7 (2.31)	98.6 (3.88)	1.0 (0.04)	0.90 (0.036)	2.80 (0.110)	44.5 (1.75)	34.0 (1.34)	255 (10)	39.1 (1.54)
QF25	5/8	50 (2-1/8)	55 (2-1/4)	7 30 (6,461)	51.1 (2.01)	106.9 (4.21)	81.0 (3.19)	119.9 (4.72)	1.0 (0.04)	2.00 (0.080)	5.20 (0.205)	60.7 (2.39)	46.0 (1.81)	305 (12)	52.1 (2.05)
QF50	23/32	60 (2-3/8)	70 (2-3/4)	1 582 (14,002)	61.2 (2.41)	139.2 (5.48)	89.4 (3.52)	139.7 (5.50)	1.0 (0.04)	0.90 (0.035)	5.30 (0.208)	75.2 (2.96)	54.9 (2.16)	355 (14)	62.2 (2.45)
QF100	15/16	75 (3)	85 (3-1/2)	3 177 (28,115)	60.5 (2.38)	177.8 (7.00)	108.0 (4.25)	177.8 (7.00)	3.8 (0.15)	3.60 (0.140)	7.40 (0.290)	86.4 (3.40)	61.0 (2.40)	405 (16)	64.3 (2.53)
QF175	1	95 (3-7/8)	105 (4-1/4)	5 325 (47,123)	72.4 (2.85)	203.2 (8.00)	139.7 (5.50)	203.2 (8.00)	3.8 (0.15)	4.80 (0.188)	5.30 (0.208)	95.3 (3.75)	66.5 (2.62)	455 (18)	76.2 (3.00)
QF250	1-1/2	105 (4-1/8)	130 (5-1/4)	6 975 (61,726)	78.2 (3.08)	225.6 (8.88)	147.1 (5.79)	225.6 (8.88)	3.8 (0.15)	2.50 (0.100)	5.80 (0.230)	106.9 (4.21)	77.7 (3.06)	505 (20)	82.0 (3.23)
QF500	1-7/8	115 (4-1/2)	145 (5-3/4)	13 051 (115,497)	78.2 (3.08)	273.6 (10.77)	177.8 (7.00)	279.4 (11.00)	3.8 (0.15)	3.20 (0.125)	6.40 (0.250)	127.0 (5.00)	94.5 (3.72)	610 (24)	94.5 (3.72)
QF1000	1-7/8	140 (5-1/2)	175 (7)	18 418 (162,997)	83.1 (3.27)	308.1 (12.13)	198.4 (7.81)	317.0 (12.48)	3.8 (0.15)	4.10 (0.160)	9.86 (0.388)	152.4 (6.00)	116.8 (4.60)	760 (30)	166.8 (6.57)

Notes: 1 = When used with blue insert (torque ratings can be higher with a black insert and split cover) 2 = Dimension shown is maximum DBSE. Please provide S dimension when ordering.

Continuous Torque Ratings

Coupling Series	Red mm (in)	Blue mm (in)	White mm (in)	Black ¹ mm (in)
QF15	120 (1,059)	234 (2,075)	234 (2,075)	N/A
QF25	387 (3,426)	730 (6,461)	730 (6,461)	N/A
QF50	798 (7,066)	1582 (14,002)	1582 (14,002)	N/A
QF100	1602 (14,178)	3177 (28,115)	3177 (28,115)	N/A
QF175	2780 (24,602)	5325 (47,123)	5325 (47,123)	N/A
QF250	3513 (31,091)	6975 (61,726)	6975 (61,726)	N/A
QF500	6790 (60,091)	13051 (115,497)	13051 (115,497)	N/A
QF1000	9601 (84,966)	18418 (162,997)	18418 (162,997)	N/A

Note: 1 = Black Insert not recommended with high speed cover. In an application where high torque is present use a split cover.

Single-Ended Standard Spacer Lengths

Distance Between Shaft Ends		Pump Standard	QF15	QF25	QF50	QF100	QF175	QF250	QF500	QF1000
in	mm									
3.50	89	ANSI	•	•	•	• ¹	• ¹			
3.75	95	ANSI	•	•	•	• ¹	• ¹			
3.94	100	ISO	•	•	•	•	• ¹			
4.25	108	MISC	•	•	•	•	• ¹	• ¹		
4.38	111	ANSI	•	•	•	•	•	• ¹		
4.69	119	MISC	•	•	•	•	•	•		
5.00	127	ANSI	•	•	•	•	•	•	• ¹	
5.22	133	MISC	•	•	•	•	•	•	• ¹	
5.38	137	MISC	•	•	•	•	•	•	•	
5.51	140	ISO	•	•	•	•	•	•	•	
5.66	144	MISC	•	•	•	•	•	•	•	
5.81	148	MISC	•	•	•	•	•	•	•	
5.97	152	MISC	•	•	•	•	•	•	•	
6.12	155	MISC	•	•	•	•	•	•	•	
6.94	176	MISC	•	•	•	•	•	•	•	
7.00	178	ANSI	•	•	•	•	•	•	•	
7.09	180	ISO	•	•	•	•	•	•	•	
7.25	184	ANSI	•	•	•	•	•	•	•	
9.75	248	ANSI	•	•	•	•	•	•	•	•
9.84	250	ISO	•	•	•	•	•	•	•	•

Note: 1 = Must use standard high speed cover for this length.



Lovejoy, LLC
2655 Wisconsin Avenue
Downers Grove, IL 60515

630-852-0500
630-852-2120 fax
info@lovejoy-inc.com

www.lovejoy-inc.com