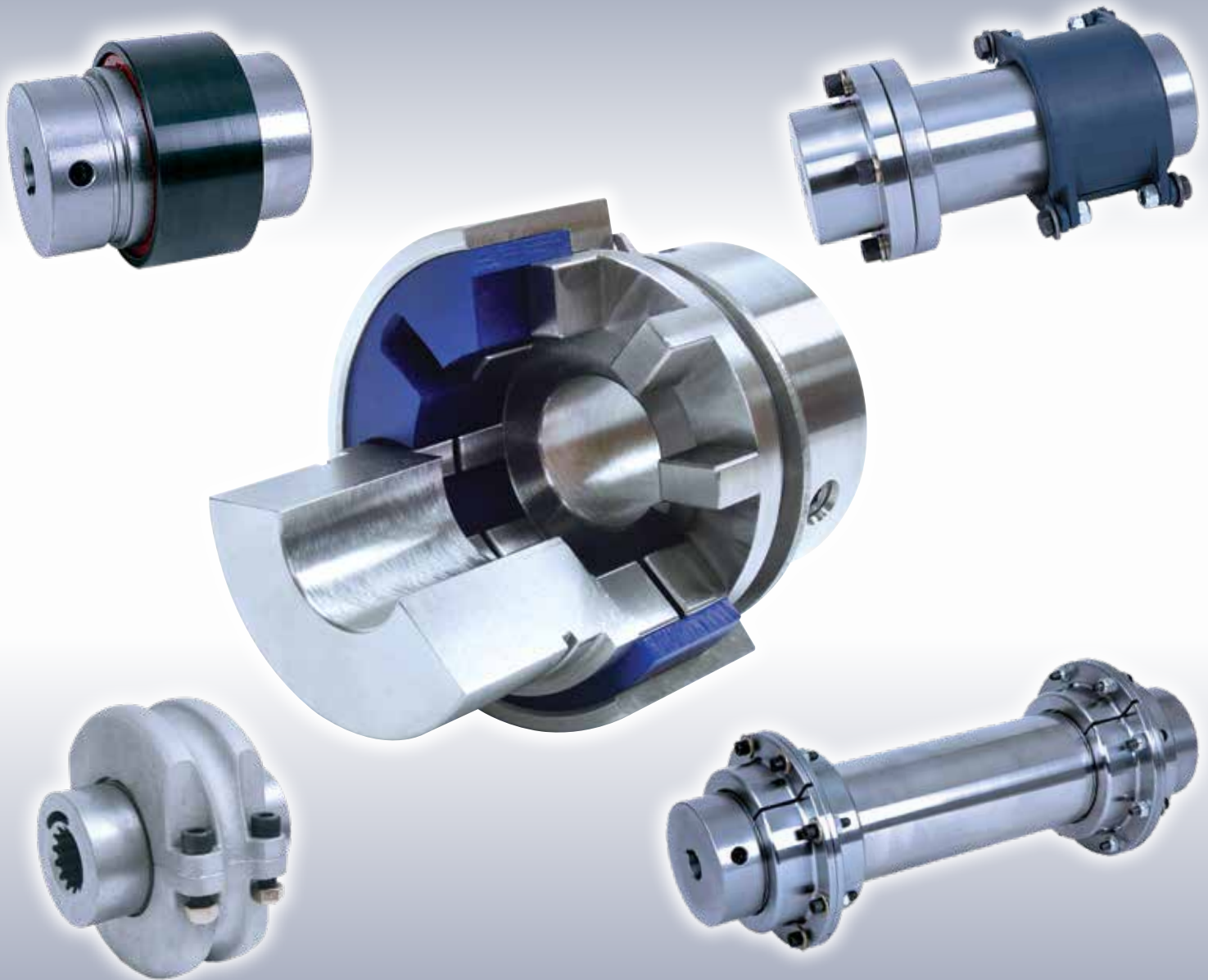




Standard
Single-Ended Spacer
Double-Ended Spacer
Splined Hub

QUICK FLEX® Couplings



Better Performance. Less Maintenance.



Highly Engineered Solutions

With its longstanding reputation for innovation, service and quality-driven work performance, Lovejoy has developed the expertise to engineer products that address the complex needs of its customers' applications. No matter what the application, Lovejoy has the selection, service and solution for it.

Lovejoy continuously adds to their power transmission elastomeric and metal coupling offerings with the manufacturing of universal joints, variable speed pulley products, Uniflex, Torsional, S-Flex, Deltaflex, Gear, Grid, Disc, Curved Jaw, Jaw In-Shear and Motion Control, as well as the newest addition, the QUICK FLEX coupling, and for the hydraulics industry a full line of couplings, reservoirs and accessories, oil coolers, and pump / motor mounts. Lovejoy also offers RunRight® products, which function as either a vibration control, spring action, tensioning device or bearing alternative.

Global in Reach, Service and Support

Lovejoy has grown to become an international market leader by expanding its reach into the global marketplace. Lovejoy products are available through a network of distributors, which are located in every major market throughout North America and in over 80 other countries. Lovejoy ships more than 100,000 components each week. These components are exported globally – to Africa, Asia, Australia, Eastern and Western Europe, Central and South America, the Caribbean and the Middle East, as well as throughout North America. World headquarters are in Downers Grove, Illinois, USA with more than 400 employees worldwide, as well as business operations located in the United States and Germany.



Lovejoy World Headquarters in Downers Grove, Illinois USA



Lovejoy continues to innovate and improve their products to optimally serve the many industries it supports.

Our Commitment to Customers...

Lovejoy has a worldwide reputation for building and sustaining long-term customer satisfaction through quality of service, products and design reliability. Certified to ISO 9001 International Standards for Quality Management, Lovejoy manufactures all of its products to the exacting requirements of international standards such as AGMA, ANSI, SAE, DIN, JIS and Imperial. Lovejoy is also an accepted supplier of products that match military specifications.

Table of Contents

Engineering

Overview	4
Torque Calculation	6
QUICK FLEX Coupling Service Factors for Applications	8
Misalignment Tolerances	11
Storage of Components	36

QUICK FLEX Couplings

Nomenclature	12
Inserts	14
Covers	17
Standard Couplings	20
Single-Ended Spacer Couplings	24
Double-Ended Spacer Couplings	27
Bushing-Style Interchange Couplings	31
Splined-Hub Couplings	34
Mill-Motor Couplings	35



WARNING

Failure to observe the following warnings could cause the power transmission product to break and parts to be thrown with sufficient force to cause serious injury or death.

Selection. Do not exceed catalog ratings. Refer to the Lovejoy catalog for proper selection, sizing, horsepower, torque range, and speed range of these products.

Installation. Proper maintenance, handling, and shop practices are critical. Follow all installation instructions included with the product and provided by your equipment manufacturer, and all applicable federal, state, and local regulations concerning the safe operation and maintenance of manufacturing equipment.

Operation. Avoid sudden shock loads during start up and operation.

Do not operate a coupling assembly with improper alignment or bolt torque or with damaged or worn elastomeric elements. Inspect the assembly for these conditions shortly after initial operation and periodically thereafter.

The coupling assembly should operate quietly and smoothly. If the coupling assembly vibrates or makes a beating sound, shut down the equipment immediately and recheck the alignment.

Disclaimer

This catalog is provided solely to give you analysis tools and data to assist you in your product selection. Product performance is affected by many factors beyond the control of Lovejoy. Therefore, you must validate the suitability and feasibility of all product selections for your applications.

Lovejoy does not manufacture or sell power transmission products for elevators, man lifts, or other devices that carry people. We make no representation or warranty concerning such uses disclaim all liability for harm that might result from the use of our products in those applications.

Lovejoy products are sold subject to Lovejoy terms and conditions of sale (view at www.lovejoy-inc.com/resources), which include our limited warranty and remedy. Please consult with your Lovejoy engineer for more information and assistance.

Every reasonable effort has been made to ensure the accuracy of the information in this writing, but no liability is accepted for errors, omissions or for any other reason.

If you have any questions, contact the Lovejoy Engineering Department at 1-630-852-0500.

When your equipment operates in harsh environments, you need products you can count on, like QUICK FLEX® elastomeric couplings. They are durable enough to face extreme challenges, yet need minimal maintenance. They are also easy to install and require no lubrication. With a lifespan that may last as long as your equipment, overall cost of ownership remains low.

Pioneering Design

QUICK FLEX couplings' innovative design features two steel hubs, a polyurethane insert and a cover.

Our styles include:

- Standard couplings
- Single-ended spacer couplings
- Double-ended spacer couplings

Whatever your application, you'll find a coupling to suit your needs:

- Fifteen sizes with max bores up to 505mm, or 20 inches
- Continuous torque handling from 43 Nm (377 in-lbs) to 610,529 Nm (5,403,788 in-lbs)
- Able to handle temperatures from -51° C to 176° C (-60° F to 350° F)

Product Advantages

More Uptime

Your hubs and shafts may remain intact when you use QUICK FLEX couplings. Our design helps eliminate mechanical interference between coupling hubs that can damage your equipment. As needed, you can replace the urethane insert quickly and easily without removing the hubs.

Durability

There's no metal-to-metal contact between opposing hubs with QUICK FLEX couplings, so you'll save money not replacing hubs or other metal components since they do not wear. For harsh environments, including wash-downs for food processing, we offer a stainless-steel version of each coupling.

Reduced Inventory

The versatility of the QUICK FLEX design promotes component standardization across your plant, reducing the need to stock multiple coupling styles and configurations.

Product Features

- Solid and split covers handle high speeds and torque
- Design dampens torsional vibration and shock
- Accepts shaft misalignment up to 2 degrees
- Eliminates the need to move or disassemble the driving or driven equipment to replace the coupling insert
- Versatility of design makes it a great tool for plant standardization
- Standard and double-ended spacer couplings available for shaft separations of 25.4 mm to 3,048 mm (1 in to 120 in), for increased application acceptance
- Four bore options available to meet customers' needs; 1) Bored, keyed and set screws style – clearance and interference fit; 2) Bushing style; 3) Splined style; and 4) Mill-motor style
- Stainless-steel versions available for corrosive environments
- Four insert choices for varying torque needs and temperature ranges, up to 177° C (350° F)
- Replaces many common gear, grid and elastomeric couplings used in high- and low-torque applications to reduce plant complexity.
- Inherently balanced from precision machining for high-speed applications
- Split cover options help resist axial separating force under high torque

for the Long Haul



QUICK FLEX Comparison	QUICK FLEX Coupling	Jaw Coupling	Jaw In-Shear Coupling	Grid Coupling	Gear Coupling	Chain Coupling	Tire Coupling	Disc Coupling
Radially removable insert/element	•		•	•	N/A	N/A	•	•
High torque capability	•			•	•			•
High-speed capacity	•	•			•			•
Torque transmission in shear	•		•	•	N/A	N/A	•	•
Non-Lubricated	•	•	•				•	•
No hub teeth wear	•	•	•				N/A	•
Shock load capabilities	•	•	•	•			•	
Angular misalignment	Medium	Low	Medium	Low	High	Low	Medium	High

Product Offering

QUICK FLEX couplings stand up to harsh environments and operate efficiently in applications including:

- Motor to gearbox (low torque/high speed)
- Gearbox to driven equipment (high torque/low speed)
- Motors to pumps
- Any drive shaft to a driven shaft

Quality Solutions

As a leading premium bearing and coupling manufacturer, we understand the critical quality link between materials and product performance.

We also strictly adhere to the Quality Management System in every plant worldwide, so each product meets the same high quality standards – no matter where it is manufactured.

Dependable Service

Every QUICK FLEX elastomeric coupling is backed by the service of our industry-leading experts, who are ready to assist you with product design, application knowledge and engineering support – anything you need to help improve uptime and maximize equipment performance.

Updates are made periodically to this catalog. Visit www.lovejoy-inc.com for the most recent version of the QUICK FLEX Coupling Catalog.



Standard Couplings

Shown with high-speed cover

Single-Ended Spacer Couplings

Shown with low-speed split cover

Double-Ended Spacer Couplings

Shown with high-speed split cover

Splined Hub Couplings

Shown with high-performance split cover

Torque Calculation – Selecting QUICK FLEX Couplings

QUICK FLEX Coupling Selection Using Inch-Pound Torque Ratings

To select the correct QUICK FLEX coupling for your application, use the formulas below. If you need further assistance, please contact your Lovejoy Application Engineer or visit www.lovejoy-inc.com.

$$\text{Design Torque (in-lbs)} = \text{Actual torque (in-lbs)} \times \text{service factor}$$

$$\text{Actual Torque (in-lbs)} = \frac{63025 \times \text{HP}}{\text{RPM}}$$

where:

HP = Drive horsepower

RPM = Drive shaft revolutions per minute

QUICK FLEX Coupling Selection Using Newton Meter Torque Ratings

To select the correct QUICK FLEX coupling for your application, use the formulas below. If you need further assistance, please contact your Lovejoy Application Engineer or visit www.lovejoy-inc.com.

$$\text{Design Torque (Nm)} = \text{Actual torque (Nm)} \times \text{service factor}$$

$$\text{Actual Torque (Nm)} = \frac{9550 \times \text{kW}}{\text{RPM}}$$

where:

kW = Drive kilowatts

RPM = Drive shaft revolutions per minute

Helpful Conversion Formulas

(Nm ↔ in-lbs) → 1 Nm = 8.85 in-lbs

(kW ↔ HP) → 1 kW = 1.341 HP



Notes

Coupling Service Factors for Applications

Suggested service factors listed are typical values based on normal operation of the mechanical power transmission system.

Application	Service Factor
Aerators	2.5
Aggregate Processing, Cement, Mining Kilns	
Direct or on Line Shaft of Reducer	
With Final Drive Machined Spur Gears	2.25
With Single Helical or Herringbone Gears	2.0
Crushers, Ore or Stone	2.75
Dryer, Rotary	2.0
Grizzly	2.25
Hammermill or Hog	2.0
Tumbling Mill or Barrel	2.0
Agitators (also see Mixers)	
Vertical, Horizontal, Screw, Propeller, Paddle	1.25
Barge Haul Puller	1.75
Blowers	
Centrifugal	1.5
Lobe or Vane	1.5
Brewing and Distilling	
Bottle- and Can-Filling Machines	1.5
Brew Kettle	1.25
Cookers, Continuous Duty	1.5
Lauter Tub	1.75
Mash Tub	1.5
Scale Hopper, Frequent Peaks	2.0
Clarifier or Classifier	1.25
Clay-Working Industry	
Brick Press, Briquette Machine, Clay-Working Machine, Pug Mill	2.0
Compressors	
Centrifugal	1.25
Rotary, Lobe or Vane	1.5
Rotary, Screw	1.5
Reciprocating	
Direct Connected	Refer to Equipment OEM
Without Flywheels	Refer to Equipment OEM
With Flywheel and Gear between Compressor and Prime Monitor	
One Cylinder, Single Acting	3.0
One Cylinder, Double Acting	3.0
Two Cylinders, Single Acting	3.0
Two Cylinders, Double Acting	3.0
Three Cylinders, Single Acting	3.0
Three Cylinders, Double Acting	2.0
Four or More Cyl., Single Acting	2.5
Four or More Cyl., Double Acting	2.5

Application	Service Factor
Conveyors	
Apron, Assembly, Belt, Chain, Flight, Screw	1.75
Bucket	1.75
Live Roll, Shaker and Reciprocating	3.0
Bridge, Travel or Trolley	2.50
Dredgers	
Cable Reel	2.0
Conveyors	1.50
Cutter Head, Jig Drive	2.5
Maneuvering Winch	1.75
Pumps (Uniform Load)	1.75
Screen Drive, Stacker	2.0
Utility Winch	2.0
Dynamometer	1.5
Elevators: Bucket, Centrifugal Discharge	1.75
Exciter, Generator	1.5
Extruder, Plastic	1.5
Fans	
Centrifugal	1.25
Cooling Tower	2.0
Forced Draft-Across the Line Start	1.75
Feeders	
Apron, Belt, Disc, Screw	1.25
Reciprocating	2.5
Food Industry	
Beet Slicer	2.0
Bottle- and Can-Filling Machine	1.5
Cereal Cooker	1.5
Dough Mixer, Meat Grinder	2.0
Forced-Draft Motor Driven through Fluid or Electro-Slip Clutch	1.25
Gas Recirculating	1.50
Induced Draft with Damper Control or Blade Cleaner	1.50
Induced Draft without Controls	2.0
Generators	
Even Load	1.25
Hoist or Railway Service	1.75
Welder Load	2.0
Hammermill	1.75
Laundry Washer or Tumbler	2.0
Line Shafts, Any Processing Machinery	1.5

Continued on next page

Engineering

Coupling Service Factors for Applications

Coupling Service Factors for Applications

Suggested service factors listed are typical values based on normal operation of the mechanical power transmission system.

Application	Service Factor
Lumber	
Band Resaw	2.0
Circular Resaw, Cutoff	2.0
Edger, Head Rig, Hog	2.5
Gang Saw (Reciprocating)	3.0
Log Haul	2.5
Planer	2.0
Rolls, Non-Reversing	1.5
Rolls, Reversing	2.5
Sawdust Conveyor	1.5
Slab Conveyor	2.0
Sorting Table	1.75
Trimmer	2.0
Machine Tools	
Auxiliary and Traverse Drive	1.0
Bending Roll, Notching Press, Punch, Press, Planer, Plate-Reversing	1.75
Main Drive	1.5
Metal Rolling Mills	
Coilers (Up or Down) Cold Mill Only	1.75
Coilers (Up or Down) Hot Mill Only	2.25
Coke Plants	
Pusher Ram Drive	2.75
Door Opener	2.25
Pusher or Larry Car Traction Drive	3.25
Continuous Caster	2.0
Cold Mills	
Strip Mills	Refer to Equipment OEM
Temper Mills	Refer to Equipment OEM
Cooling Beds	1.75
Drawbench	2.25
Feed Rolls: Blooming Mills	3.25
Furnace Pushers	2.25
Hot and Cold Saws	2.25
Hot Mills	
Strip or Sheet Mills	Refer to Equipment OEM
Reversing Blooming	Refer to Equipment OEM
Slabbing Mills	Refer to Equipment OEM
Edger Drives	Refer to Equipment OEM
Ingot Cars	2.25
Manipulators	3.25
Merchant Mills	Refer to Equipment OEM

Application	Service Factor
Mill Tables	
Roughing Breakdown Mills	3.25
Hot Bed or Transfer (Non-Reversing)	1.75
Runout (Reversing)	3.25
Runout (Non-Reversing, Non-Plugging)	2.25
Reel Drives	2.0
Rod Mills	Refer to Equipment OEM
Screwdown	2.25
Seamless-Tube Mills	
Piercer	3.25
Thrust Block	2.25
Tube-Conveyor Rolls	2.25
Reeler	2.25
Kick Out	2.25
Shear, Croppers	Refer to Equipment OEM
Sideguards	3.25
Skelp Mills	Refer to Equipment OEM
Slitters (Steel Mill Only)	2.0
Soaking Pit Cover Drives	
Lift	1.25
Travel	2.25
Straighteners	2.25
Unscramblers (Billet Bundle Busters)	2.25
Wire-Drawing Machinery	2.0
Mixers (also see Agitators)	
Concrete	1.75
Muller	1.5
Oil Industry	
Chiller	1.50
Oilwell Pumping (Not Over 150 Percent Peak Torque)	2.5
Paraffin Filter Press	1.75
Rotary Kiln	2.5
Paper Mills	
Barker, Auxiliary, Hydraulic	2.5
Barker, Mechanical	2.5
Barker, Drum L.S. Shaft of Reducer with Final Drive	
Helical or Herringbone Gear	2.5
Machined Spur Gear	3.0
Cast Tooth Spur Gear	3.0
Beater and Pulper	2.0
Bleachers, Coaters	1.5
Calendar and Super Calendar	2.0
Chipper	3.0
Converting Machine	1.50
Couch	2.00
Cutter, Felt Whipper	2.25

Continued on next page.

Engineering

Coupling Service Factors for Applications

Coupling Service Factors for Applications

Suggested service factors listed are typical values based on normal operation of the mechanical power transmission system.

Application	Service Factor
Cylinder, Dryer	2.00
Felt Stretcher	1.75
Fourdrinier	2.00
Jordan	2.5
Log Haul	2.5
Line Shaft	1.75
Press	2.0
Pulp Grinder	2.0
Reel, Rewinder, Winder	2.0
Stock Chest, Washer, Thickener	1.75
Stock Pumps, Centrifugal	
Constant Speed	1.25
Frequent Speed Changes Under Load	1.5
Suction Roll	2.0
Press, Printing	1.5
Pug Mill	1.75
Pulverizers	
Hammermill and Hog	1.75
Roller	1.5
Pumps: Centrifugal	
Constant Speed	1.0
Frequent Speed Changes Under Load	1.75
Descaling, with Accumulators	1.75
Gear, Rotary or Vane	1.75
Pumps: Reciprocating	
One Cylinder, Single or Double Acting	3.0
Two Cylinder, Single Acting	2.5
Two Cylinder, Double Acting	2.0
Three or More Cylinders	2.0
Rubber Industry	
Calendar	2.25
Cracker, Plasticolour	2.5
Extruder	2.0
Tire and Tube-Press Opener (Peak Torque)	1.5
Warming Mill	
One or Two Mills in Line	2.0
Three or More Mills in Line	2.50
Washer	2.75
Screens	
Air Washing	1.5
Grizzly	2.5
Rotary Coal or Sand	2.0
Vibrating	2.5
Water	1.5
Sewage-Disposal Equipment	
Bar Screen, Chemical Feeders, Collectors, Dewatering Screen, Grit Collector	1.5
Mill Stands, Turbine Driven with all Helical or Herringbone Gears	1.75

Application	Service Factor
Electric-Drive or Steam-Engine Drive with Helical or Herringbone	2.0
Stoker	1.0
Sugar Industry	
Cone Carrier and Leveler	2.25
Cane Knife and Crusher	2.5
Mill Stands, Turbine Driver with all Helical or Herringbone Gears	1.75
Electric-Drive or Steam-Engine Drive with Helical, Herringbone or Spur Gears with any Prime Mover	2.0
Textile Industry	
Batcher	1.5
Calendar, Card Machine	1.75
Cloth-Finishing Machine	1.75
Dry Can, Loom	1.75
Dyeing Machinery	1.5
Knitting Machine	Refer to Equipment OEM
Mangle, Napper, Soaper	1.5
Spinner, Tenter Frame, Winder	1.75
Tumbling Barrel	2.0
Winch, Maneuvering: Dredge, Marine	1.5
Windlass	1.5

Engine Drive Service Factors

Service factors for engine drives are those required for applications where good flywheel regulation prevents torque fluctuation greater than 20 percent. For drives where torque fluctuations are greater or where the operation is near a serious critical or torsional vibration, a mass elastic study is necessary.

To determine an engine drive service factor, first determine the application service factor for motors. Then, use that to find the correct engine service factor in the table below. When the application service factor for motors is greater than 2.0 or where one-, two- or three-cylinder engines are involved, please contact your Lovejoy Application Engineer with complete application details for an engineering review.

Table 1. Engine Service Factor

Application Service Factor	Engine Service Factor	
	4 to 5 Cylinders	6+ Cylinders
1.00	2.00	1.50
1.25	2.25	1.75
1.50	2.50	2.00
1.75	2.75	2.25
2.00	3.00	2.50

Misalignment Tolerances

Table 2. QUICK FLEX Coupling Misalignment Tolerances

Coupling Series	Radial Misalignment Tolerance	Axial Misalignment Tolerance	Angular Misalignment Tolerance
	mm in	mm in	
QF5	0.51	1.98	2°
	0.020	0.078	
QF15	0.99	2.95	2°
	0.039	0.116	
QF25	0.99	2.95	2°
	0.039	0.116	
QF50	0.97	2.95	2°
	0.038	0.116	
QF100	1.47	3.96	2°
	0.058	0.156	
QF175	1.47	4.45	1.3°
	0.058	0.175	
QF250	1.47	5.94	1.3°
	0.058	0.234	
QF500	1.47	5.94	1°
	0.058	0.234	
QF1000	1.47	5.94	1°
	0.058	0.234	
QF1890	1.47	7.92	1°
	0.058	0.312	
QF3150	1.98	7.92	1°
	0.078	0.312	
QF10260	1.98	7.92	1°
	0.078	0.312	
QF15000	1.98	7.92	.75°
	0.078	0.312	
QF22480	1.98	7.92	.75°
	0.078	0.312	
QF30000	1.98	7.92	.75°
	0.078	0.312	

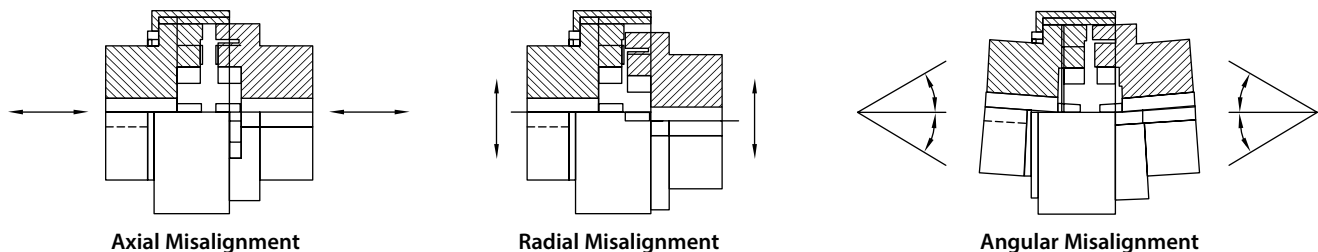


Fig. 1. Types of misalignment.

Nomenclature

Standard Couplings

Standard Coupling Nomenclature

A complete standard coupling unit consists of:

- Two hubs
- One insert
- One cover

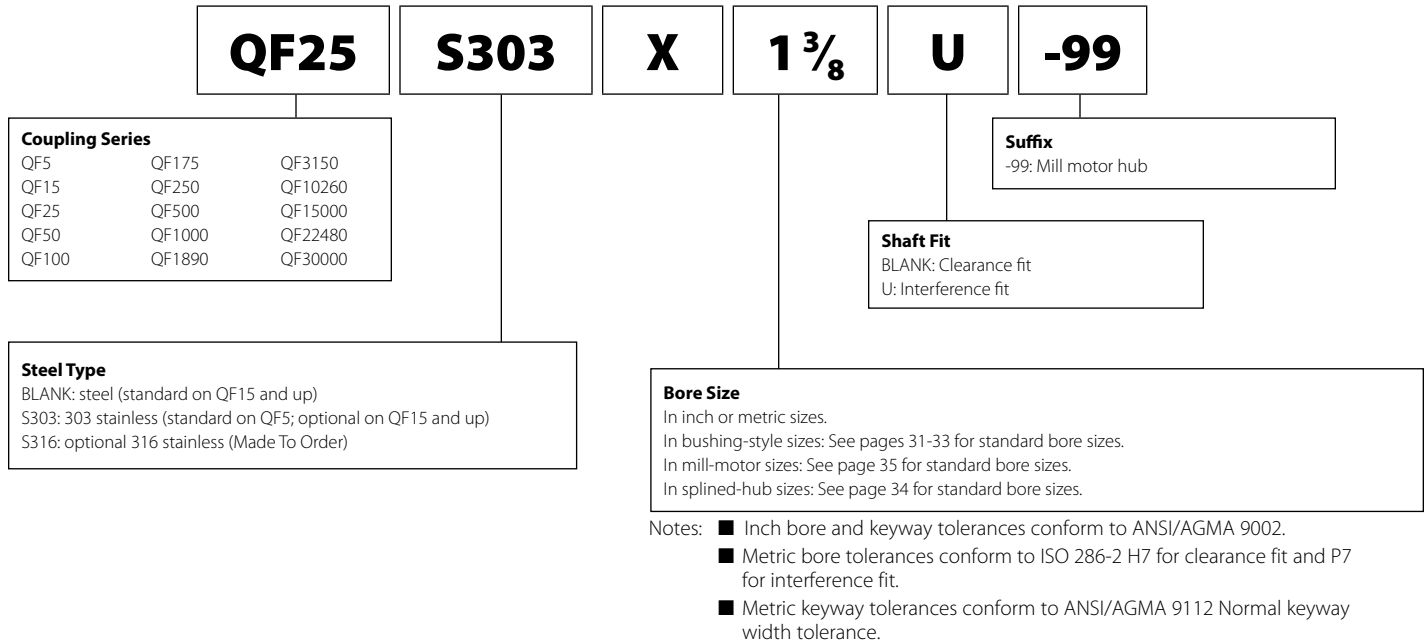


Fig. 2. Hubs.

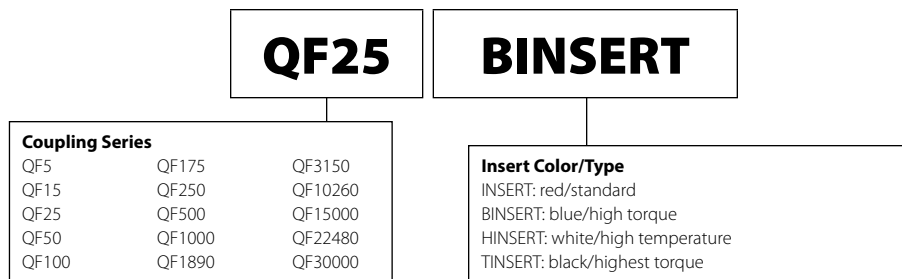


Fig. 3. Inserts.

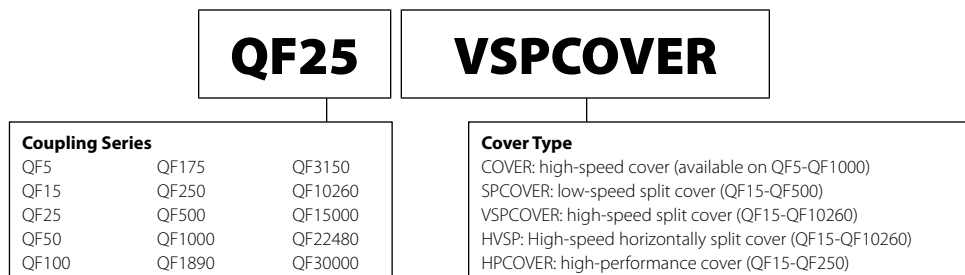


Fig. 4. Covers.

Nomenclature Spacer Couplings

Spacer Coupling Nomenclature

A complete *single-ended* spacer coupling unit consists of:

- One standard hub
- One flanged spacer hub
- One single-ended spacer body
- One insert
- One cover

A complete *double-ended* spacer coupling unit consists of:

- Two standard hubs
- One double-ended spacer body
- Two inserts
- Two covers

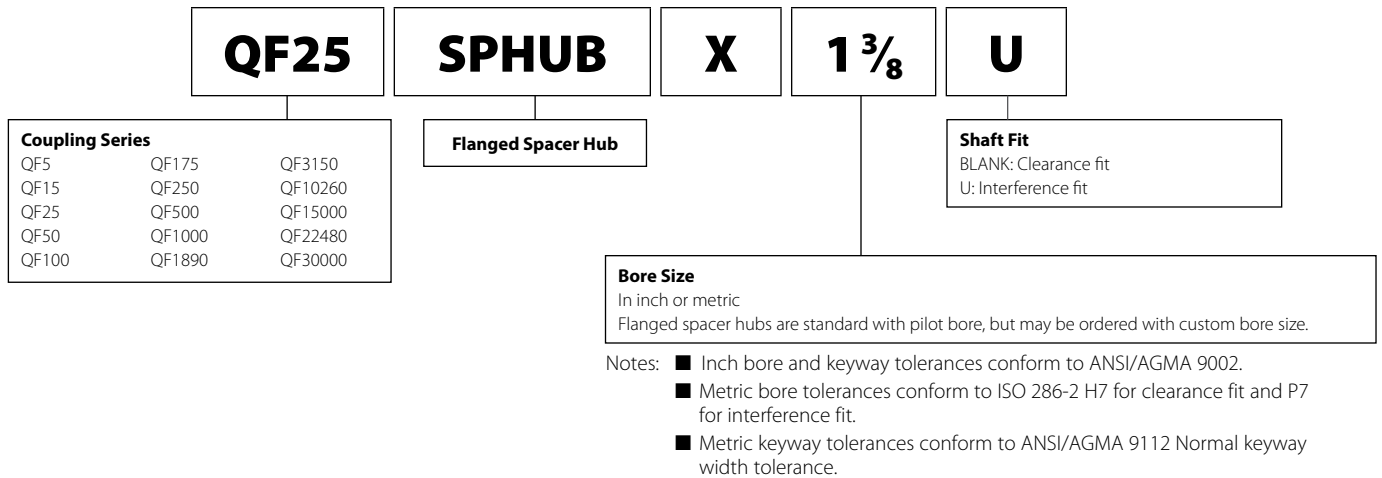


Fig. 5. Flanged spacer hubs.

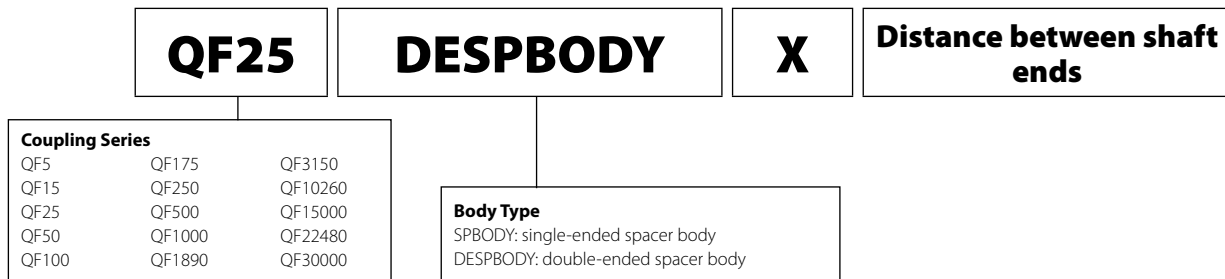


Fig. 6. Flanged spacer bodies.

Inserts

Coupling Insert Chemical Compatibility

A – Little to no effect B – Minor to moderate effect C – Severe effect to destruction N – No data. Test prior to use.	Urethane
Acetaldehyde	C
Acetamide	N
Acetic Acid	C
Acetic Anhydride	C
Acetone	C
Acetyl Bromide	C
Acetyl Chloride	C
Acetylene	C
Adipic Acid	A
Aero Shell Grease	B
Aero Lubriplate	A
Aero Safe 2300	N
Aerozene 50	N
Aluminum Acetate	N
Aluminum Bromide	N
Aluminum Chloride	B
Aluminum Sulfate	B
Ammonia	B
Ammonium Carbonate	B
Ammonium Chloride	N
Ammonium Hydroxide	B
Ammonium Nitrate	B
Ammonium Persulfate	B
Ammonium Sulfate	B
Ammonium Sulfide	B
Ammonium Thiocyanate	B
Amonnium Acetate	C
Amyl Acetate	C
Amyl Alcohol	C
Aniline	C
Aniline Hydrochloride	C
Animal Fats and Oils	B
Antimony Salts	B
Aqua Regia	C
Arsenic Salts	B
ASTM Oil #1	A
ASTM Oil #2	B
ASTM Oil #3	B
ASTM Reference Fuel A	A
ASTM Reference Fuel B	B
Atlantic Oil	A
Barium Carbonate	B
Barium Hydroxide	A
Beer	A
Benzaldehyde	B
Benzene	C
Benzoic Acid	B
Black Sulphate Liquors	N

A – Little to no effect B – Minor to moderate effect C – Severe effect to destruction N – No data. Test prior to use.	Urethane
Bleach Solutions	N
Boric Acid	A
Brake Fluid	N
Bromine	B
Bunker Oil	A
Butane	A
Butyl Acetate	C
Butyl Alcohol	B
Calcium Carbonate	B
Calcium Chloride	A
Calcium Hydroxide	A
Calcium Nitrate	B
Calcium Sulfate	B
Carbon Dioxide	A
Carbon Disulfide	B
Carbon Monoxide	A
Carbon Tetrachloride	C
Chlorine	N
Chloroacetic Acid	C
Chloroform	C
Chromic Acid	C
Chromium Potassium Sulfate	B
Citric Acid	B
Corn Oil	A
Cottonseed Oil	A
Cresol	C
Crude Oil	B
Cupric Chloride	A
Cupric Nitrate	B
Cupric Sulfate	B
Cutting Oil	B
Cyclohexane	B
Cyclohexanone	C
Dibutyl Phthalate	C
Dichlorobenzene	C
Diesel Fuel	B
Diester Oil	B
Dimethyl Acetamide	C
Dimethyl Formamide	C
Dodecyl Mercaptan	B
DTE Oil	B
Dibutyl Ether	B
EP Lubes	A
Esso #90 Lube Oil	A
Ether	B
Ethyl Acetate	C
Ethyl Alcohol (Ethanol)	C
Formic Acid	C

A – Little to no effect B – Minor to moderate effect C – Severe effect to destruction N – No data. Test prior to use.	Urethane
Freon, 12 or 113	A
Fuel Oil	B
Gasoline	B
Glucose	A
Glue	N
Glycerin	A
Heptane	A
Hexane	A
Hydrazine	C
Hydrobromic Acid	B
Hydrocarbon Oil	A
Hydrochloric Acid	B
Hydrofluoric Acid	B
Hydrogen	A
Hydrogen Peroxide	B
Hydrogen Sulfide	C
Hydrologic Acid	B
Iodine	A
Isobutyl Alcohol	N
Isopropyl Chloride	N
Isopropyl Ether	B
Isopropyl Alcohol (Propanol)	B
JP4 Oil	B
JP5 and 6 Oil	C
Kerosene	B
Lactic Acid	B
Lead Acetate	B
Linseed Oil	B
Liquefied Petroleum Gas	A
Lubrication Oil	B
Lye	N
Magnesium Chloride	N
Magnesium Hydroxide	A
Magnesium Salts	B
Malaic Acid	C
Mercury	B
Methyl Alcohol (Methanol)	A
Methyl Ethyl Ketone	C
Methylene Chloride	C
MIL-D-5606 Oil	C
MIL-L-7808 Oil	B
Mineral Oil	A
Mineral Spirits	N
Naphthalene	B
Natural Gas	B
Nickel Salts	C
Oxygen	A

Continued on next page.

Inserts

Coupling Insert Chemical Compatibility

A – Little to no effect B – Minor to moderate effect C – Severe effect to destruction N – No data. Test prior to use.	Urethane
Ozone	A
Paimitic Acid	A
Paint Thinner	B
Peanut Oil	A
Perchloric Acid	C
Perchloroethylene	C
Petroleum	B
Phenol (Carbolic Acid)	C
Phosphoric Acid	C
Potassium Cyanide	A
Potassium Salts	B
Propane	B
Propyl Alcohol	B
Propylene Glycol	B
Pydraul Oil	C
SAE #10 Oil	A
Seawater	A
Silicic Acid	B
Silver Nitrate	B
Skydrol Oil	C
Soap	B
Sodium Acetate	A
Sodium Bicarbonate	B
Sodium Borate	B
Sodium Carbonate	B
Sodium Chloride	B
Sodium Cyanide	B
Sodium Hydrosulfite	B
Sodium Hydroxide	B
Sodium Hypochlorite	C
Sodium Nitrate	B
Sodium Silicate	A
Sodium Sulfate	B
Sodium Sulfide	B
Steam	C
Styrene	B
Sulfur Dioxide	B
Sulfuric Acid	C
Tannic Acid	A
Tartaric Acid	A
Toluene	C
Transformer Oil	B
Turpentine	C
Urea	B
Varnish	B
Water	B

Inserts Coupling Inserts

Inserts

QUICK FLEX Coupling Inserts

QUICK FLEX flexible urethane coupling inserts are resistant to most chemicals and available in four materials for varying temperature and torque needs:

QUICK FLEX red insert (standard)

The standard QUICK FLEX red insert is made from a relatively soft urethane compound. This insert is well suited for a wide range of applications. The standard insert excels in vibration dampening and cushioning of shock loads and is best for reversing applications or applications with quick starting and stopping of high-inertial loads. This insert offers an operational temperature range of -50° C to 100° C (-60° F to 212° F) with a 48D durometer.

QUICK FLEX blue insert (high torque)

The QUICK FLEX blue insert is made from a relatively stiff urethane compound. This insert is well suited for applications with moderate to high torque. QUICK FLEX couplings with the blue insert deliver high torque while maintaining a degree of torsional softness and the ability to dampen vibration. They are excellent replacements for gear, grid or chain-style couplings. This insert offers an operational temperature range of -50° C to 100° C (-60° F to 212° F) with a 60D durometer.

QUICK FLEX black insert (highest torque)

The QUICK FLEX black insert offers the highest torque ratings of any of our inserts. This insert is well suited for very high torque applications, and QUICK FLEX couplings with a black insert are excellent replacements for gear-style couplings. This insert offers an operational temperature range of -50° C to 100° C (-60° F to 212° F) with a 68D durometer. When using a high-speed cover, the use of a black insert is not recommended. In an application where high torque is present, use a split cover option.

QUICK FLEX white insert (high temperature)

The QUICK FLEX white insert is made of a heat-resistant urethane compound for use in applications where heat is a concern. This insert offers an operational temperature range of -50° C to 177° C (-60° F to 350° F) with a 60D durometer.

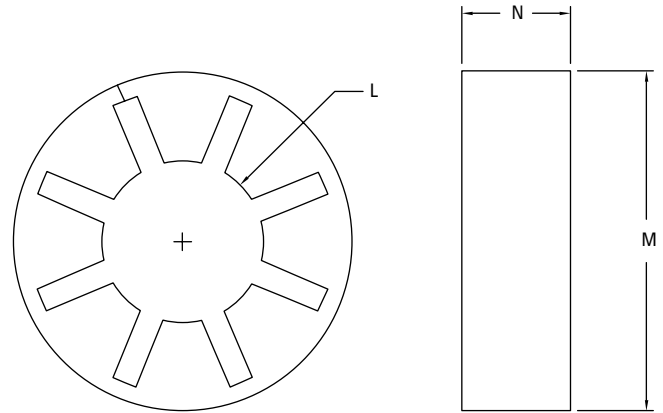


Fig. 7. QUICK FLEX insert.

Table 3. QUICK FLEX Insert Dimensions

Coupling Series	L	M	N	Wt.
	mm in	mm in	mm in	kg lbs
QF5	31.2	56.6	16.0	0.1
	1.23	2.23	0.63	0.2
QF15	42.2	72.6	21.6	0.1
	1.66	2.86	0.85	0.2
QF25	54.9	96.5	31.2	0.1
	2.16	3.80	1.23	0.2
QF50	61.2	128.3	41.7	0.4
	2.41	5.05	1.64	0.9
QF100	77.5	163.6	51.3	0.7
	3.05	6.44	2.02	1.5
QF175	99.1	187.2	59.7	0.9
	3.90	7.37	2.35	2.0
QF250	104.9	208.3	58.9	1.4
	4.13	8.20	2.32	3.0
QF500	114.6	253.5	66.8	2.3
	4.51	9.98	2.63	5.0
QF1000	157.2	287.0	75.2	2.7
	6.19	11.30	2.96	6.0
QF1890	193.0	345.7	82.3	4.1
	7.60	13.61	3.24	9.0
QF3150	232.4	404.6	93.2	5.9
	9.15	15.93	3.67	13.0
QF10260	285.8	483.6	137.9	14.1
	11.25	19.04	5.43	31.1
QF15000	343.7	584.2	158.75	23.7
	13.53	23.00	6.25	52.2
QF22480	438.2	692.2	171.45	31.4
	17.25	27.25	6.75	69.2
QF30000	584.2	901.7	209.55	63.3
	23.00	35.50	8.25	139.6

Covers

High-Speed Cover

QUICK FLEX High-Speed Cover

QUICK FLEX high-speed covers are designed for applications where low torque and/or high speed is present.

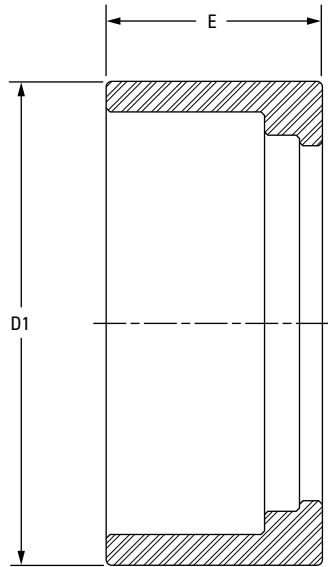


Fig. 8. High-speed cover.

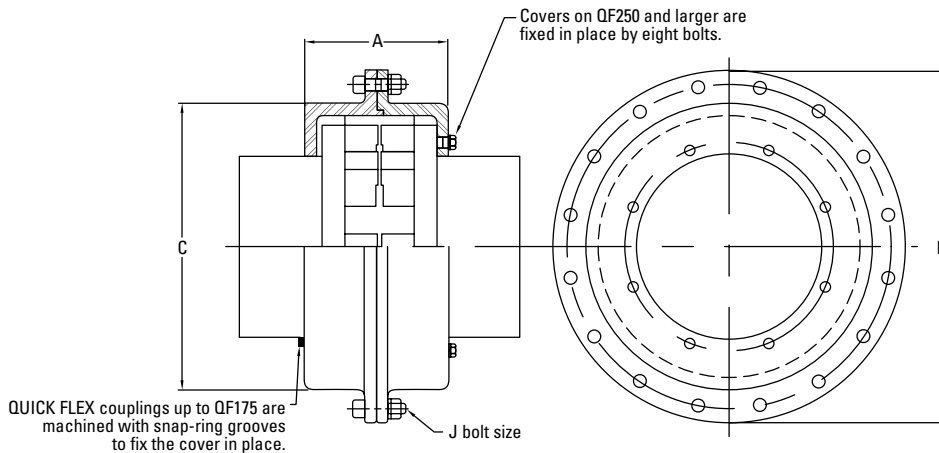
Table 4. QUICK FLEX High-Speed Cover Dimensions

Cover Part No.	Maximum RPM	D1		E	
		mm	in	mm	in
QF5COVER	12000	63.2	24.1		
		2.49	0.95		
QF15COVER	9000	80.3	34.3		
		3.16	1.35		
QF25COVER	7000	106.9	49.5		
		4.21	1.95		
QF50COVER	6000	139.2	60.5		
		5.48	2.38		
QF100COVER	4800	177.8	75.2		
		7.00	2.96		
QF175COVER	4200	203.2	83.1		
		8.00	3.27		
QF250COVER	3800	225.6	88.9		
		8.88	3.50		
QF500COVER	3400	273.6	102.9		
		10.77	4.05		
QF1000COVER	3000	308.1	124.0		
		12.13	4.88		
QF1890COVER	2400	365.3	127.0		
		14.38	5.00		
QF3150COVER	2000	425.5	139.7		
		16.75	5.50		
QF10260COVER	1800	510.5	201.7		
		20.10	7.94		

Inserts and Covers High-Speed Split Cover

QUICK FLEX High-Speed Split Cover

QUICK FLEX high-speed split covers are ideal in applications where high torque is combined with higher speeds while minimizing axial loading.



Note: Available split horizontally upon request specified as HVSPCOVER.

Fig. 9. High-speed split cover.

Table 5. QUICK FLEX High-Speed Split Cover Dimensions

Cover Part No.	Maximum RPM	A	B	C	J
		mm in	mm in	mm in	mm
QF15VSPCOVER	9000	45.2	119.4	85.9	(8) M6 X 20MM
		1.78	4.70	3.38	
QF25VSPCOVER	7000	63.5	142.7	107.7	(8) M6 X 20MM
		2.50	5.62	4.24	
QF50VSPCOVER	6000	78.2	193.6	141.7	(8) M10 X 20MM
		3.08	7.62	5.58	
QF100VSPCOVER	4800	110.7	227.3	181.9	(8) M10 X 35MM
		4.36	8.95	7.16	
QF175VSPCOVER	4200	114.3	250.2	204.2	(8) M10 X 35MM
		4.50	9.85	8.04	
QF250VSPCOVER	3800	118.6	266.7	225.0	(8) M10 X 35MM & (8) M10 X 35MM
		4.67	10.50	8.86	
QF500VSPCOVER	3400	149.4	342.9	273.1	(12) M12 X 45MM & (8) M10 X 35MM
		5.88	13.50	10.75	
QF1000VSPCOVER	3000	157.7	387.4	314.5	(16) M12 X 45MM & (8) M10 X 35MM
		6.21	15.25	12.38	
QF1890VSPCOVER	2800	185.9	450.9	374.7	(16) M12 X 50MM & (8) M12 X 40MM
		7.32	17.75	14.75	
QF3150VSPCOVER	2000	188.5	497.6	431.3	(20) M12 X 45MM & (8) M20 X 45MM
		7.42	19.59	16.98	
QF10260VSPCOVER	1200	275.6	619.3	523.2	(20) M12 X 65MM & (8) M12 X 40MM
		10.85	24.38	20.60	
QF15000VSPCOVER	1000	308.10	747.27	628.9	(20) M16 X 80MM & (8) M16 X 60MM
		12.13	29.42	24.76	
QF22480VSPCOVER	850	358.90	871.47	744.5	(20) M20 X 90MM & (8) M20 X 60MM
		14.13	34.31	29.31	
QF30000VSPCOVER	700	463.55	1119.12	966.7	(20) M24 X 110MM & (8) M24 X 80MM
		18.25	44.06	38.06	

Note: ■ Available split horizontally upon request specified as HVSPCOVER.

Covers

High-Speed Split Cover

Standard Couplings

QUICK FLEX Aluminum High-Performance (HP) Cover

QUICK FLEX aluminum high-performance covers are designed to minimize axial loading in all applications including high or low torque and high or low speed.

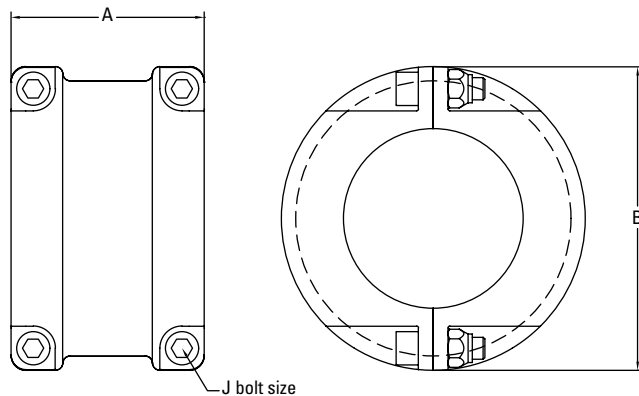


Fig. 10. Aluminum high-performance cover.

Table 6. QUICK FLEX Aluminum High-Performance (HP) Cover Dimensions

Cover Part No.	Maximum RPM	A	B	J
		mm in	mm in	mm
QF15HPCOVER	9000	49.0	101.3	(4) M6 X 25MM
		1.93	3.99	
QF25HPCOVER	7000	70.9	141.0	(4) M10 X 35MM
		2.79	5.55	
QF50HPCOVER	6000	76.7	185.0	(4) M12 X 45MM
		3.02	7.28	
QF100HPCOVER	4800	151.4	197.1	(4) M12 X 60MM
		5.96	7.76	
QF175HPCOVER	4200	164.1	223.8	(4) M16 X 65MM
		6.46	8.81	
QF250HPCOVER	3800	166.1	261.4	(4) M20 X 60MM
		6.54	10.29	
QF500HPCOVER	3400	201.2	305.3	(4) M20 X 60MM
		7.92	12.02	

QUICK FLEX Low-Speed Split Cover

By minimizing axial loading, QUICK FLEX low-speed split covers excel in applications where there is a high amount of torque and low speeds.

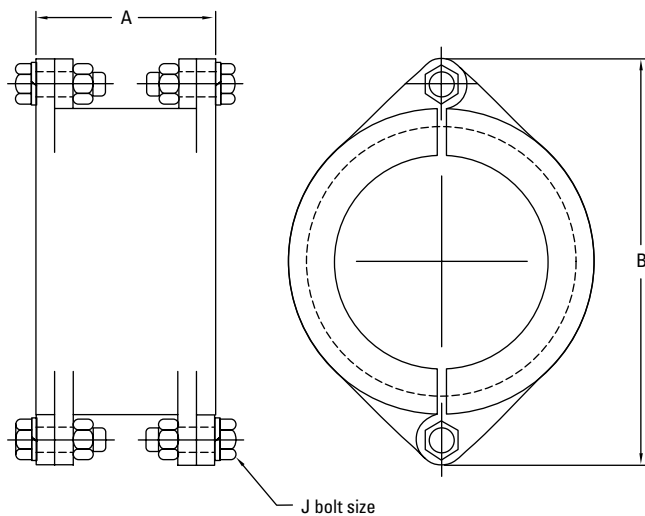


Fig. 11. Low-speed split cover.

Table 7. QUICK FLEX Low-Speed Split-Cover Dimensions

Cover Part No.	Maximum RPM	A	B	J
		mm in	mm in	mm
QF15SPCOVER	400	50.8	124.2	(4) M8 X 25MM
		2.00	4.89	
QF25SPCOVER	375	78.0	145.0	(4) M10 X 35MM
		3.07	5.71	
QF50SPCOVER	350	87.9	192.5	(4) M12 X 35MM
		3.46	7.58	
QF100SPCOVER	300	118.4	231.9	(4) M12 X 40MM
		4.66	9.13	
QF175SPCOVER	250	124.0	285.0	(4) M16 X 50MM
		4.88	11.22	
QF250SPCOVER	200	130.3	307.3	(4) M20 X 50MM
		5.13	12.10	

Standard Couplings With High-Speed Cover

Standard Coupling with High-Speed Cover

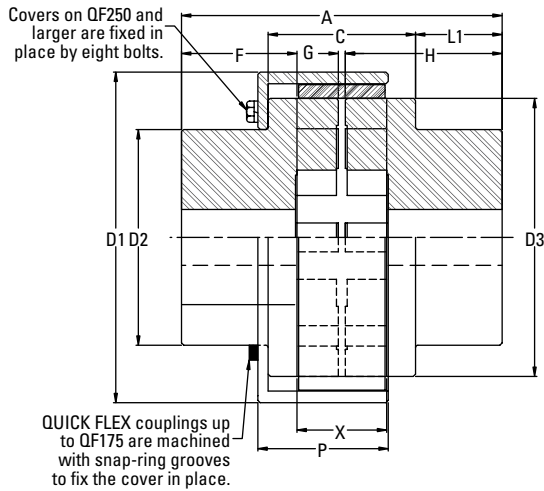


Fig. 12. Standard coupling with high-speed cover.

Table 8. QUICK FLEX Insert Continuous Torque Ratings

Coupling Series	Red	Blue	White	Black ¹
	Nm in-lbs	Nm in-lbs	Nm in-lbs	Nm in-lbs
QF5	43	93	93	N/A
	377	819	819	
QF15	120	234	234	N/A
	1059	2075	2075	
QF25	387	730	730	N/A
	3426	6461	6461	
QF50	798	1582	1582	N/A
	7066	14002	14002	
QF100	1602	3177	3177	N/A
	14178	28115	28115	
QF175	2780	5325	5325	N/A
	24602	47123	47123	
QF250	3513	6975	6975	N/A
	31091	61726	61726	
QF500	6790	13051	13051	N/A
	60091	115497	115497	
QF1000	9601	18418	18418	N/A
	84966	162997	162997	
QF1890	10740	20409	20409	N/A
	95061	180639	180639	
QF3150	11880	22401	22401	N/A
	105135	198252	198252	
QF10260	23748	44736	44736	N/A
	210173	395913	395913	

Note: ■ 1 indicates: When using a high-speed cover, the use of a black insert is not recommended. In an application where high torque is present, use a split cover option. Contact your Lovejoy Application Engineer for maximum shaft distance.

Table 9. QUICK FLEX Standard Coupling with High-Speed Cover Dimensions

Coupling Series	Pilot-Bore Diameter	Maximum Bore Size		Max. RPM	Continuous Torque ¹	A	C	D1	D2	D3	F	G _{Min}	G _{Max}	H	L1	P	X	Wt. ²
		Standard Keyway	Shallow Key															
		in	mm in															mm in
QF5	-	25	-	12000	93 ¹	71.6	26.8	63.2	50.8	52.6	27.4	1.60	2.34	34.8	22.4	24.1	16.8	1.8
		1 ¼	-		819	2.82	1.06	2.49	2.00	2.07	1.08	0.063	0.092	1.37	0.88	0.95	0.66	4
QF15	17/32	40	-	9000	234	91.5	33.5	80.3	58.7	64.5	34.0	2.27	2.64	44.5	29.0	34.3	22.4	2.3
		1 ½	-		2075	3.60	1.32	3.16	2.31	2.55	1.34	0.089	0.104	1.75	1.14	1.35	0.88	5
QF25	5/8	50	-	7000	730	124.3	52.1	106.9	81.0	85.6	46.0	2.54	3.30	60.7	36.1	49.5	30.7	5.0
		2 ½	-		6461	4.90	2.06	4.21	3.19	3.37	1.81	0.100	0.130	2.39	1.42	1.95	1.21	11
QF50	23/32	60	-	6000	1582	154.0	63.6	139.2	89.4	114.0	54.9	2.67	4.60	75.2	45.2	60.5	42.2	6.8
		2 ¾	-		14002	6.06	2.50	5.48	3.52	4.49	2.16	0.105	0.181	2.96	1.78	2.38	1.66	15
QF100	15/16	75	-	4800	3177	179.7	90.3	177.8	108.0	150.4	62.5	4.57	5.36	86.4	44.7	75.2	55.6	16.8
		3	-		28115	7.07	3.55	7.00	4.25	5.92	2.46	0.180	0.211	3.40	1.76	2.96	2.19	37
QF175	1	95	-	4200	5325	197.5	95.9	203.2	139.7	171.5	67.8	6.43	7.44	95.3	50.8	83.1	62.2	25.9
		3 ¾	-		47123	7.77	3.77	8.00	5.50	6.75	2.67	0.253	0.293	3.75	2.00	3.27	2.45	57
QF250	1 ½	105	-	3800	6975	219.0	100.6	225.6	147.1	190.0	78.7	4.32	5.31	107.1	59.2	88.9	63.2	32.3
		4 ½	-		61726	8.61	3.95	8.88	5.79	7.48	3.10	0.170	0.209	4.21	2.33	3.50	2.49	71
QF500	1 ¾	115	-	3400	13051	259.7	119.9	273.6	177.8	235.0	95.3	4.98	6.35	127.0	69.9	102.9	69.9	57.3
		4 ½	-		115497	10.22	4.72	10.77	7.00	9.25	3.75	0.196	0.250	5.00	2.75	4.05	2.75	126
QF1000	1 7/8	140	-	3000	18418	312.2	129.4	308.1	198.4	266.7	116.8	6.02	8.86	152.4	91.4	124.0	77.2	98.2
		5 ½	6 3/16		162997	12.29	5.09	12.13	7.81	10.50	4.60	0.237	0.349	6.00	3.60	4.88	3.04	216
QF1890	2 ½	175	-	2400	20409	376.4	150.4	365.3	241.3	325.1	145.8	6.35	8.81	184.4	113.0	127.0	85.1	181.8
		6 ½	7 ½		180639	14.82	5.92	14.38	9.50	12.80	5.74	0.250	0.347	7.26	4.45	5.00	3.35	400
QF3150	2 ½	205	-	2000	22401	411.5	157.4	425.5	279.4	383.3	157.0	4.24	7.85	202.7	127.0	139.7	101.3	241.8
		8	9		198252	16.20	6.20	16.75	11.00	15.09	6.18	0.167	0.309	7.98	5.00	5.50	3.99	532
QF10260	2 ½	280	-	1800	44736	510.2	233.4	510.5	381.0	450.9	183.4	5.99	10.77	251.0	138.4	201.7	144.3	507.3
		11	11 ¼		395913	20.08	9.18	20.10	15.00	17.75	7.22	0.236	0.424	9.88	5.45	7.94	5.68	1116

Notes: ■ 1 indicates: When used with blue insert.

■ 2 indicates: Weights shown are approximate weights of complete coupling assemblies including two pilot-bore hubs, cover and insert.

Standard Couplings With High-Speed Split Cover

Standard Coupling with High-Speed Split Cover

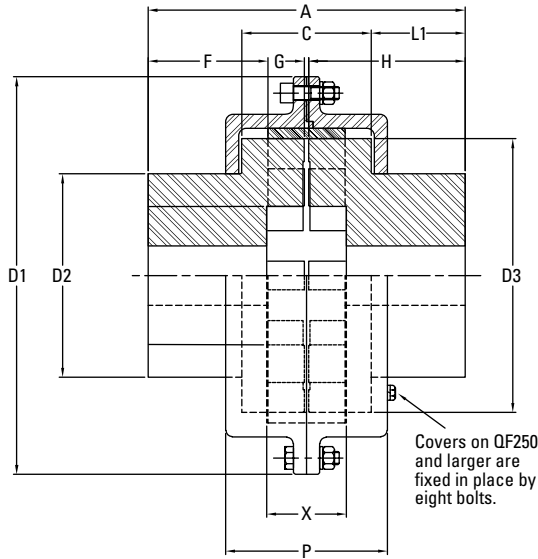


Fig. 13. Standard coupling with high-speed split cover.

Table 10. QUICK FLEX Insert Continuous Torque Ratings

Coupling Series	Red	Blue	White	Black
	Nm in-lbs	Nm in-lbs	Nm in-lbs	Nm in-lbs
QF15	150	293	293	452
	1324	2594	2594	4001
QF25	484	913	913	1407
	4283	8077	8077	12449
QF50	998	1978	1978	2992
	8833	17502	17502	26479
QF100	2003	3971	3971	6061
	17723	35144	35144	53642
QF175	3475	6656	6656	9973
	30753	58903	58903	88257
QF250	4391	8718	8718	13438
	38864	77158	77158	118930
QF500	8487	16313	16313	24794
	75114	144372	144372	219429
QF1000	12001	23022	23022	35081
	106208	203746	203746	310466
QF1890	19869	38937	38937	62597
	175840	344594	344594	553982
QF3150	33942	64004	64004	98434
	300387	566434	566434	871139
QF10260	67852	127817	127817	188794
	600494	1131179	1131179	1670826
QF15000	91696	175751	175751	259806
	811602	1555571	1555571	2299540
QF22480	157030	300974	300974	444918
	1389871	2663919	2663919	3937967
QF30000	318537	610529	610529	902520
	2819368	5403788	5403788	7988209

Table 11. QUICK FLEX Standard Coupling with High-Speed Split Cover Dimensions

Coupling Series	Pilot-Bore Diameter	Maximum Bore Size		Max. RPM	Continuous Torque ¹	A	C	D1	D2	D3	F	G _{Min}	G _{Max}	H	L1	P	X	Wt. ²
		Standard Keyway	Shallow Key															
		in	mm															
QF15	17/32	40	-	9000	452	91.5	33.5	119.4	58.7	64.8	34.0	2.27	2.64	44.5	29.0	45.2	22.4	3.2
		1 3/8	-		4001	3.60	1.32	4.70	2.31	2.55	1.34	0.089	0.104	1.75	1.14	1.78	0.88	7
QF25	5/8	50	-	7000	1407	124.3	52.1	142.7	81.0	85.6	46.0	2.54	3.30	60.7	36.1	63.5	30.7	5.9
		2 1/8	-		12449	4.90	2.06	5.62	3.19	3.37	1.81	0.100	0.130	2.39	1.42	2.5	1.21	13
QF50	23/32	60	-	6000	2992	154.0	63.6	193.5	89.4	114.0	54.9	2.67	4.60	75.2	45.2	78.2	42.2	9.1
		2 3/8	-		26479	6.06	2.50	7.62	3.52	4.49	2.16	0.105	0.181	2.96	1.78	3.08	1.66	20
QF100	15/16	75	-	4800	6061	179.7	90.3	227.3	108.0	150.4	62.5	5.62	8.13	86.4	44.7	110.7	55.6	21.3
		3	-		53642	7.07	3.55	8.95	4.25	5.92	2.46	0.221	0.320	3.40	1.76	4.36	2.19	47
QF175	1	95	-	4200	9973	197.8	96.2	250.2	139.7	171.5	67.8	6.43	7.98	95.3	50.8	114.3	62.2	29.5
		3 7/8	-		88257	7.78	3.78	9.85	5.50	6.75	2.67	0.253	0.314	3.75	2.00	4.50	2.45	65
QF250	1 1/2	105	-	3800	13438	219.0	100.6	266.7	147.1	190.0	78.7	4.32	5.31	106.9	59.2	118.6	63.2	36.7
		4 1/8	-		118930	8.61	3.95	10.50	5.79	7.48	3.10	0.170	0.209	4.21	2.33	4.67	2.49	80
QF500	1 7/8	115	-	3400	24794	260.8	121.0	342.9	177.8	235.0	95.3	4.98	8.51	127.0	69.9	149.4	69.9	61.8
		4 1/2	-		219429	10.27	4.77	13.50	7.00	9.25	3.75	0.196	0.335	5.00	2.75	5.88	2.75	136
QF1000	1 7/8	140	-	3000	35081	312.2	129.4	387.4	198.4	266.7	116.8	6.02	8.86	152.4	91.4	157.7	77.2	102.5
		5 1/8	6 3/16		310466	12.29	5.09	15.25	7.81	10.50	4.60	0.237	0.349	6.00	3.60	6.21	3.04	226
QF1890	2 1/2	175	-	2400	62597	377.5	151.5	450.9	241.3	325.1	145.8	7.32	10.08	184.4	113.0	185.9	85.1	186.0
		6 1/2	7 1/2		553982	14.86	5.96	17.75	9.50	12.80	5.74	0.288	0.397	7.26	4.45	7.32	3.35	410
QF3150	2 1/2	205	-	2000	98434	411.4	157.4	497.6	279.4	383.3	157.0	4.24	7.85	202.7	127.0	188.5	101.3	245.9
		8	9		871139	16.20	6.20	19.56	11.00	15.09	6.18	0.167	0.309	7.98	5.00	7.42	3.99	542
QF10260	2 1/2	280	-	1200	188794	510.4	233.6	619.3	381.0	450.9	183.4	5.99	10.77	251.0	138.4	275.6	144.3	515.3
		11	11 1/4		1670826	20.09	9.19	24.38	15.00	17.75	7.22	0.236	0.424	9.88	5.45	10.85	5.68	1136
QF15000	5	340	-	1000	175751	570.0	258.6	747.3	471.9	557.5	203.2	9.55	13.46	279.4	155.7	308.1	163.6	827
		13.5	-		1555571	22.44	10.18	29.42	18.58	21.95	8.00	0.376	0.530	11.00	6.13	12.13	6.44	1823
QF22480	6	405	-	850	300974	785.9	303.3	871.5	533.4	660.4	304.8	10.03	12.98	387.4	241.3	358.9	176.3	1512
		16	-		2663919	30.94	11.94	34.31	21.00	26.00	12.00	0.395	0.511	15.25	9.50	14.13	6.94	3334
QF30000	10	505	-	700	610529	889.0	393.7	1119.1	660.4	863.6	336.6	10.87	15.32	438.2	247.7	463.6	215.9	2745
		20	-		5403788	35.00	15.50	44.06	26.00	34.00	13.25	0.428	0.603	17.25	9.75	18.25	8.50	6052

Notes: ■ 1 indicates: When used with black insert.

■ 2 indicates: Weights shown are approximate weights of complete coupling assemblies including two pilot-bore hubs, cover and insert.

Standard Couplings

With Aluminum High-Performance (HP) Cover

Standard Coupling with Aluminum High-Performance (HP) Cover

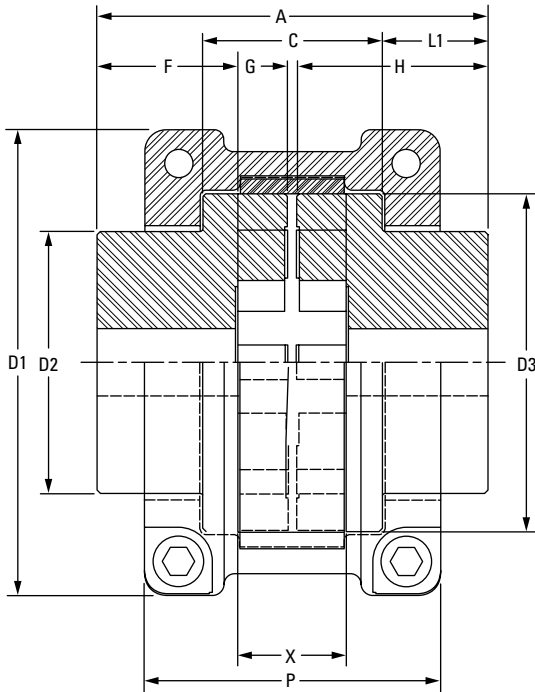


Fig. 14. Standard coupling with aluminum high-performance cover.

Table 12. QUICK FLEX Insert Continuous Torque Ratings

Coupling Series	Red	Blue	White	Black
	Nm in-lbs	Nm in-lbs	Nm in-lbs	Nm in-lbs
QF15	150	293	293	452
	1324	2594	2594	4001
QF25	484	913	913	1407
	4283	8077	8077	12449
QF50	998	1978	1978	2992
	8833	17502	17502	26479
QF100	2003	3971	3971	6061
	17723	35144	35144	53642
QF175	3475	6656	6656	9973
	30753	58903	58903	88257
QF250	4391	8718	8718	13438
	38864	77158	77158	118930
QF500	8487	16313	16313	24794
	75114	144372	144372	219429

Table 13. QUICK FLEX Standard Coupling with Aluminum High-Performance (HP) Cover Dimensions

Coupling Series	Pilot-Bore Diameter	Maximum Bore Size		Max. RPM	Continuous Torque ¹	A	C	D1	D2	D3	F	G _{Min}	G _{Max}	H	L1	P	X	Wt. ²
		Standard Keyway																
		in	mm in															
QF15	1 ¹⁷ / ₃₂	40	9000	452	91.5	33.5	101.3	58.7	64.8	34.0	2.27	2.64	44.5	29.0	49.0	22.4	2.3	
		1 ⁵ / ₈		4001	3.60	1.32	3.99	2.31	2.55	1.34	0.089	0.104	1.75	1.14	1.93	0.88	5	
QF25	5 ⁵ / ₈	50	7000	1407	124.3	52.1	141.2	81.0	85.6	46.0	2.54	3.30	60.7	36.1	70.9	30.7	5.4	
		2 ¹ / ₈		12449	4.90	2.06	5.56	3.19	3.37	1.81	0.100	0.130	2.39	1.42	2.79	1.21	12	
QF50	2 ²³ / ₃₂	60	6000	2992	153.5	63.1	184.9	89.4	114.0	54.9	2.67	3.56	75.2	45.2	76.7	42.2	7.7	
		2 ³ / ₈		26479	6.04	2.48	7.28	3.52	4.49	2.16	0.105	0.140	2.96	1.78	3.02	1.66	17	
QF100	1 ¹⁵ / ₁₆	75	4800	6061	179.7	90.3	197.1	108.0	150.4	62.5	5.62	8.13	86.4	44.7	151.4	55.6	18.1	
		3		53642	7.07	3.55	7.76	4.25	5.92	2.46	0.221	0.320	3.40	1.76	5.96	2.19	40	
QF175	1	95	4200	9973	197.8	96.2	223.8	139.7	171.5	67.8	6.43	7.98	95.3	50.8	164.1	62.2	26.8	
		3 ⁷ / ₈		88257	7.78	3.78	8.81	5.50	6.75	2.67	0.253	0.314	3.75	2.00	6.46	2.45	59	
QF250	1 ¹ / ₂	105	3800	13438	219.0	100.6	261.4	147.1	190.0	78.7	4.32	5.31	106.9	59.2	166.1	63.2	36.7	
		4 ¹ / ₈		118930	8.61	3.95	10.29	5.79	7.48	3.10	0.170	0.209	4.21	2.33	6.54	2.49	81	
QF500	1 ⁷ / ₈	115	3400	24794	260.8	121.0	305.3	177.8	235.0	95.3	4.98	8.51	127.0	69.9	201.2	69.9	61.8	
		4 ¹ / ₂		219429	10.27	4.77	12.02	7.00	9.25	3.75	0.196	0.335	5.00	2.75	7.92	2.75	136	

Notes: ■ 1 indicates: When used with black insert.

■ 2 indicates: Weights shown are approximate weights of complete coupling assemblies including two pilot-bore hubs, cover and insert.

Standard Couplings With Low-Speed Split Cover

Standard Coupling with Low-Speed Split Cover

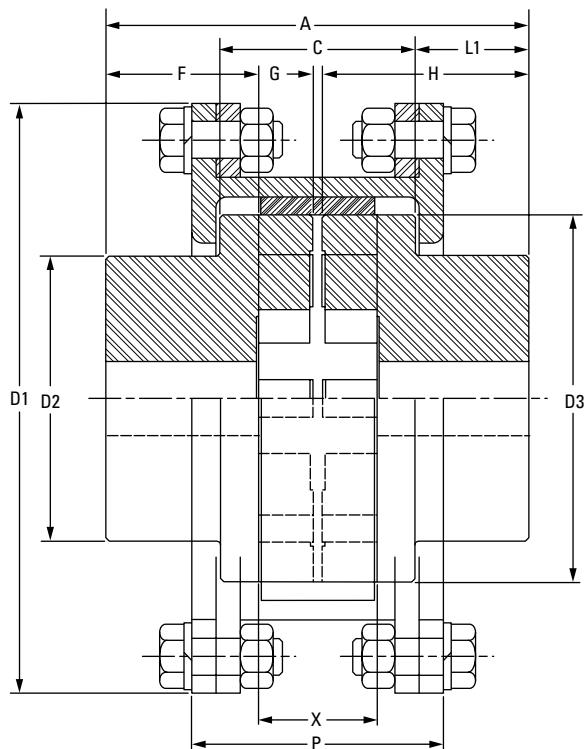


Fig. 15. Standard coupling with low-speed split cover.

Note: When using low-speed split cover, please refer to maximum RPM column in the table at the bottom of this page for allowable speed ratings.

Table 14. QUICK FLEX Insert Continuous Torque Ratings

Coupling Series	Red	Blue	White	Black
	Nm in-lbs	Nm in-lbs	Nm in-lbs	Nm in-lbs
QF15	150	293	293	452
	1324	2594	2594	4001
QF25	484	913	913	1407
	4283	8077	8077	12449
QF50	998	1978	1978	2992
	8833	17502	17502	26479
QF100	2003	3971	3971	6061
	17723	35144	35144	53642
QF175	3475	6656	6656	9973
	30753	58903	58903	88257
QF250	4391	8718	8718	13438
	38864	77158	77158	118930

Table 15. QUICK FLEX Standard Coupling with Low-Speed Split Cover Dimensions

Coupling Series	Pilot-Bore Diameter	Maximum Bore Size	Max. RPM	Continuous Torque ⁽¹⁾	A	C	D1	D2	D3	F	G _{Min}	G _{Max}	H	L1	P	X	Wt. ⁽²⁾
	in	mm in		Nm in-lbs	mm in	mm in	mm in	mm in	mm in	mm in	mm in	mm in	mm in	mm in	mm in	mm in	mm in
QF15	17/32	40	400	452	91.3	33.3	124.2	58.7	64.8	34.0	2.01	2.51	44.5	29.0	50.8	22.4	2.7
		1 5/8		4001	3.59	1.31	4.89	2.31	2.55	1.34	0.079	0.099	1.75	1.14	2.00	0.88	6
QF25	5/8	50	375	1407	124.1	51.9	145.0	81.0	85.6	46.0	2.54	2.90	60.7	36.1	78.0	30.7	5.9
		2 1/8		12449	4.89	2.05	5.71	3.19	3.37	1.81	0.100	0.114	2.39	1.42	3.07	1.21	13
QF50	23/32	60	350	2992	152.3	61.9	192.5	89.4	114.0	54.9	1.52	2.29	75.2	45.2	87.9	42.2	8.6
		2 3/8		26479	6.00	2.44	7.58	3.52	4.49	2.16	0.060	0.090	2.96	1.78	3.46	1.66	19
QF100	15/16	75	300	6061	179.7	90.3	231.9	108.0	150.4	62.5	5.62	8.13	86.4	44.7	118.4	55.6	20.0
		3		53642	7.07	3.55	9.13	4.25	5.92	2.46	0.221	0.320	3.40	1.76	4.66	2.19	44
QF175	1	95	250	9973	197.8	96.2	285.0	139.7	171.5	67.8	6.43	7.98	95.3	50.8	124.0	62.2	32.7
		3 7/8		88257	7.78	3.78	11.22	5.50	6.75	2.67	0.253	0.314	3.75	2.00	4.88	2.45	72
QF250	1 1/2	105	200	13438	219.0	100.6	307.3	147.1	190.0	78.7	4.32	5.31	106.9	59.2	130.3	63.2	39.5
		4 1/8		118930	8.61	3.95	12.10	5.79	7.48	3.10	0.170	0.209	4.21	2.33	5.13	2.49	87

Notes: ■ 1 indicates: When used with black insert.

■ 2 indicates: Weights shown are approximate weights of complete coupling assemblies including two pilot-bore hubs, cover and insert.

Single-Ended Spacer Couplings

With High-Speed Cover

Single-Ended Spacer Coupling with High-Speed Cover

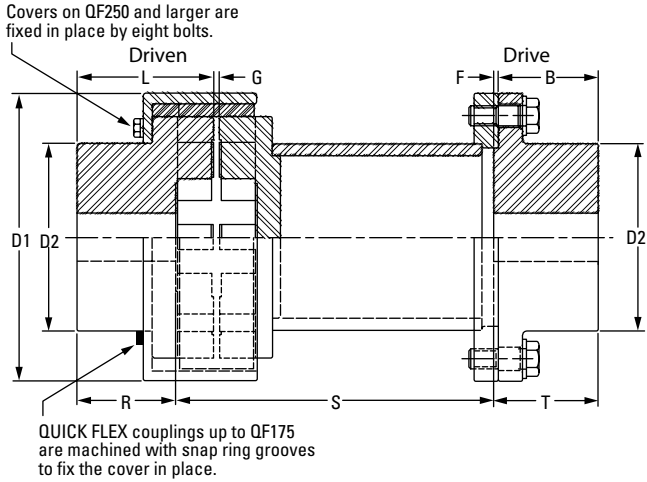


Fig. 16. Single-ended spacer coupling with high-speed cover.

Table 16. QUICK FLEX Insert Continuous Torque Ratings

Coupling Series	Red	Blue	White	Black ¹
	Nm in-lbs	Nm in-lbs	Nm in-lbs	Nm in-lbs
QF5	43	93	93	N/A
	377	819	819	
QF15	120	234	234	N/A
	1059	2075	2075	
QF25	387	730	730	N/A
	3426	6461	6461	
QF50	798	1582	1582	N/A
	7066	14002	14002	
QF100	1602	3177	3177	N/A
	14178	28115	28115	
QF175	2780	5325	5325	N/A
	24602	47123	47123	
QF250	3513	6975	6975	N/A
	31091	61726	61726	
QF500	6790	13051	13051	N/A
	60091	115497	115497	
QF1000	9601	18418	18418	N/A
	84966	162997	162997	
QF1890	10740	20409	20409	N/A
	95061	180639	180639	
QF3150	11880	22401	22401	N/A
	105135	198252	198252	
QF10260	23748	44736	44736	N/A
	210173	395913	395913	

Note: ■ 1 indicates: When using a high-speed cover, the use of a black insert is not recommended. In an application where high torque is present, use a split cover option. Contact your Lovejoy Application Engineer for maximum shaft distance.

Table 17. QUICK FLEX Single-Ended Spacer Coupling with High-Speed Cover Dimensions

Coupling Series	Pilot-Bore Diameter	Maximum Bore Size		Continuous Torque ¹	B	D1	D2	F	G _{Min}	G _{Max}	L	R	S _{Max} ²	T
		Standard Keyway	Shallow Key											
		in	mm											
QF15	17/32	40	-	234	38.1	80.3	58.7	1.0	2.26	2.64	44.5	34.0	255	39.1
		1 5/8	-	2075	1.50	3.16	2.31	0.04	0.089	0.104	1.75	1.34	10	1.54
QF25	5/8	50	-	730	51.1	106.9	81.0	1.0	2.54	3.30	60.7	46.0	305	52.1
		2 1/8	-	6461	2.01	4.21	3.19	0.04	0.100	0.130	2.39	1.81	12	2.05
QF50	23/32	60	-	1582	61.2	139.2	89.4	1.0	2.67	4.57	75.2	54.9	355	62.2
		2 3/8	-	14002	2.41	5.48	3.52	0.04	0.105	0.180	2.96	2.16	14	2.45
QF100	15/16	75	-	3177	60.5	177.8	108.0	3.8	4.57	5.36	86.4	61.0	405	64.3
		3	-	28115	2.38	7.00	4.25	0.15	0.180	0.211	3.40	2.40	16	2.53
QF175	1	95	-	5325	72.4	203.2	139.7	3.8	6.43	7.44	95.3	66.5	455	76.2
		3 7/8	-	47123	2.85	8.00	5.50	0.15	0.253	0.293	3.75	2.62	18	3.00
QF250	1 1/2	105	-	6975	78.2	225.6	147.1	3.8	4.32	5.31	106.9	77.7	505	82.0
		4 1/8	-	61726	3.08	8.88	5.79	0.15	0.170	0.209	4.21	3.06	20	3.23
QF500	1 7/8	115	-	13051	90.7	273.6	177.8	3.8	4.98	6.35	127.0	94.5	610	94.5
		4 1/2	-	115497	3.57	10.77	7.00	0.15	0.196	0.250	5.00	3.72	24	3.72
QF1000	1 7/8	140	-	18418	113.0	308.1	198.4	3.8	6.02	8.86	152.4	116.8	760	166.8
		5 1/2	6 3/16	162997	4.45	12.13	7.81	0.15	0.237	0.349	6.00	4.60	30	4.60
QF1890	2 1/2	175	-	20409	142.0	365.3	241.3	3.8	6.35	8.81	184.4	145.8	760	145.8
		6 1/2	7 1/2	180639	5.59	14.38	9.50	0.15	0.250	0.347	7.26	5.74	30	5.74
QF3150	2 1/2	205	-	22401	151.9	425.5	279.4	5.1	4.24	7.85	202.7	157.0	915	157.0
		6 1/2	9	198252	5.98	16.75	11.00	0.20	0.167	0.309	7.98	6.18	36	6.18
QF10260	2 1/2	280	-	44736	178.3	510.5	381.0	5.1	5.99	10.77	251.0	183.4	915	183.4
		6 1/2	11 1/4	395913	7.02	20.10	15.00	0.20	0.236	0.424	9.88	7.22	36	7.22

Notes: ■ 1 indicates: When used with blue insert.

■ 2 indicates: Dimension shown is maximum distance between shafts. Please provide S dimension when ordering.

Single-Ended Spacer Couplings

With High-Speed Split Cover

Single-Ended Spacer Coupling with High-Speed Split Cover

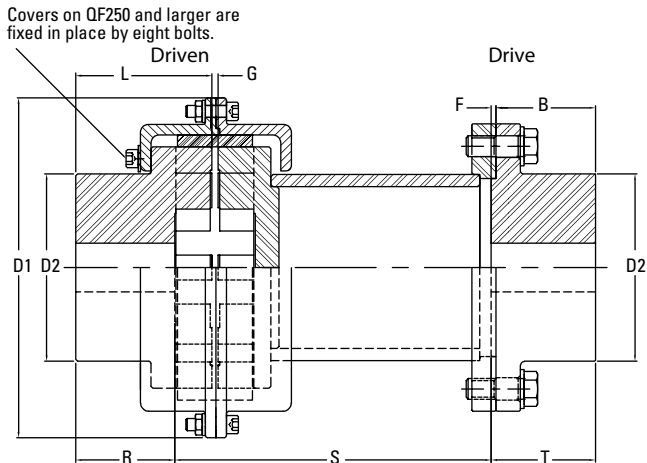


Fig. 17. Single-ended spacer coupling with high-speed split cover (HVSP).

Note: ■ HVSP covers must be ordered for this spacer type.

Table 18. QUICK FLEX Insert Continuous Torque Ratings

Coupling Series	Red	Blue	White	Black
	Nm in-lbs	Nm in-lbs	Nm in-lbs	Nm in-lbs
QF15	150	293	293	452
	1324	2594	2594	4001
QF25	484	913	913	1407
	4283	8077	8077	12449
QF50	998	1978	1978	2992
	8833	17502	17502	26479
QF100	2003	3971	3971	6061
	17723	35144	35144	53642
QF175	3475	6656	6656	9973
	30753	58903	58903	88257
QF250	4391	8718	8718	13438
	38864	77158	77158	118930
QF500	8487	16313	16313	24794
	75114	144372	144372	219429
QF1000	12001	23022	23022	35081
	106208	203746	203746	310466
QF1890	19869	38937	38937	62597
	175840	344594	344594	553982
QF3150	33942	64004	64004	98434
	300387	566434	566434	871139
QF10260	67852	127817	127817	188794
	600494	1131179	1131179	1670826

Table 19. QUICK FLEX Single-Ended Spacer Coupling with High-Speed Split Cover Dimensions

Coupling Series	Pilot-Bore Diameter	Maximum Bore Size		Continuous Torque ¹	B	D1	D2	F	G _{Min}	G _{Max}	L	R	S _{Max} ²	T
		Standard Keyway	Shallow Key											
		in	mm in											
QF15	17/32	40	-	452	38.1	119.4	58.7	1.0	2.26	2.64	44.5	34.0	255	39.1
		1 5/8	-	4001	1.50	4.70	2.31	0.04	0.089	0.104	1.75	1.34	10	1.54
QF25	5/8	50	-	1407	51.1	142.6	81.0	1.0	2.54	3.30	60.7	46.0	305	52.1
		2 1/8	-	12449	2.01	5.62	3.19	0.04	0.100	0.130	2.39	1.81	12	2.05
QF50	23/32	60	-	2992	61.2	193.5	89.4	1.0	2.67	4.60	75.2	54.9	355	62.2
		2 3/8	-	26479	2.41	7.62	3.52	0.04	0.105	0.181	2.96	2.16	14	2.45
QF100	15/16	75	-	6061	60.5	227.3	108.0	3.8	5.61	8.13	86.4	61.0	405	64.3
		3	-	53642	2.38	8.95	4.25	0.15	0.221	0.320	3.40	2.40	16	2.53
QF175	1	95	-	9973	72.4	250.2	139.7	3.8	6.43	7.98	95.3	66.5	455	76.2
		3 7/8	-	88257	2.85	9.85	5.50	0.15	0.253	0.314	3.75	2.62	18	3.00
QF250	1 1/2	105	-	13438	78.2	266.7	147.1	3.8	4.32	5.31	106.9	77.7	505	82.0
		4 1/8	-	118930	3.08	10.50	5.79	0.15	0.170	0.209	4.21	3.06	20	3.23
QF500	1 7/8	115	-	24794	90.7	342.9	177.8	3.8	4.98	8.51	127.0	94.5	610	94.5
		4 1/2	-	219429	3.57	13.50	7.00	0.15	0.196	0.335	5.00	3.72	24	3.72
QF1000	1 7/8	140	-	35081	113.0	387.4	198.4	3.8	6.02	8.86	152.4	116.8	760	166.8
		5 1/2	6 3/16	310466	4.45	15.25	7.81	0.15	0.237	0.349	6.00	4.60	30	4.60
QF1890	2 1/2	175	-	62597	142.0	450.9	241.3	3.8	7.32	10.08	184.4	145.8	760	145.8
		6 1/2	7 1/2	553982	5.59	17.75	9.50	0.15	0.288	0.397	7.26	5.74	30	5.74
QF3150	2 1/2	205	-	98434	151.9	497.6	279.4	5.1	4.24	7.85	202.7	157.0	915	157.0
		6 1/2	9	871139	5.98	19.59	11.00	0.20	0.167	0.309	7.98	6.18	36	6.18
QF10260	2 1/2	280	-	188794	178.3	619.3	381.0	5.1	5.99	10.77	251.0	183.4	915	183.4
		6 1/2	11 1/4	1670826	7.02	24.38	15.00	0.20	0.236	0.424	9.88	7.22	36	7.22

Notes: ■ 1 indicates: When used with black insert.
 ■ 2 indicates: Dimension shown is maximum distance between shafts. Please provide S dimension when ordering.
 ■ Spacer bodies ordered with high-speed split covers need to be ordered as HVSPCOVER for fitting purposes.

Single-Ended Spacer Couplings

With Aluminum High-Performance (HP) Cover

Single-Ended Spacer Coupling with Aluminum High-Performance (HP) Cover

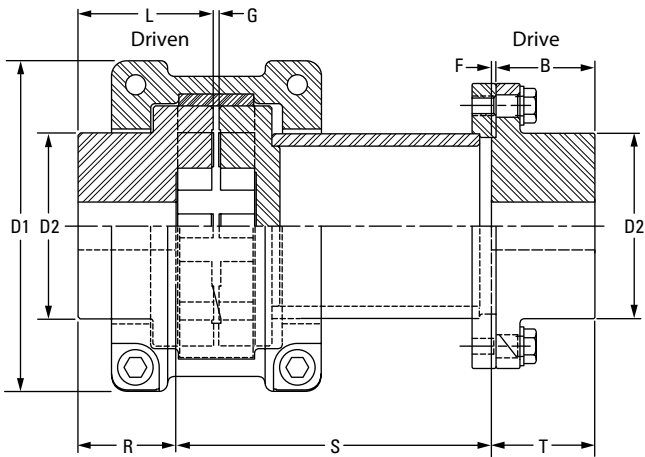


Fig. 18. Single-ended spacer coupling with aluminum high-performance cover.

Table 20. QUICK FLEX Insert Continuous Torque Ratings

Coupling Series	Red	Blue	White	Black
	Nm in-lbs	Nm in-lbs	Nm in-lbs	Nm in-lbs
QF15	150	293	293	452
	1324	2594	2594	4001
QF25	484	913	913	1407
	4283	8077	8077	12449
QF50	998	1978	1978	2992
	8833	17502	17502	26479
QF100	2003	3971	3971	6061
	17723	35144	35144	53642
QF175	3475	6656	6656	9973
	30753	58903	58903	88257
QF250	4391	8718	8718	13438
	38864	77158	77158	118930
QF500	8487	16313	16313	24794
	75114	144372	144372	219429

Table 21. QUICK FLEX Single-Ended Spacer Coupling with Aluminum High-Performance (HP) Cover Dimensions

Coupling Series	Pilot-Bore Diameter	Maximum Bore Size	Continuous Torque ¹	B	D1	D2	F	G _{Min}	G _{Max}	L	R	S _{Max} ²	T
		Standard Keyway											
	in	mm in	Nm in-lbs	mm in	mm in	mm in	mm in	mm in	mm in	mm in	mm in	mm in	
QF15	17/32	40	452	38.1	101.3	58.7	1.0	2.26	2.64	44.5	34.0	255	39.1
		1 5/8	4001	1.50	3.99	2.31	0.04	0.089	0.104	1.75	1.34	10	1.54
QF25	5/8	50	1407	51.1	141.2	81.0	1.0	2.54	3.30	44.5	46.0	305	52.1
		2 1/8	12449	2.01	5.56	3.19	0.04	0.100	0.130	2.39	1.81	12	2.05
QF50	23/32	60	2992	61.2	184.9	89.4	1.0	2.67	3.56	75.2	54.9	355	62.2
		2 3/8	26479	2.41	7.28	3.52	0.04	0.105	0.140	2.96	2.16	14	2.45
QF100	15/16	75	6061	60.5	197.1	108.0	3.8	5.61	8.13	86.4	61.0	405	64.3
		3	53642	2.38	7.76	4.25	0.15	0.221	0.320	3.4	2.40	16	2.53
QF175	1	95	9973	72.4	223.8	139.7	3.8	6.43	7.98	95.3	66.4	455	76.2
		3 7/8	88257	2.85	8.81	5.50	0.15	0.253	0.314	3.75	2.62	18	3.00
QF250	1 1/2	105	13438	78.2	261.4	147.1	3.8	4.32	5.31	106.9	77.7	510	82.0
		4 1/8	118930	3.08	10.29	5.79	0.15	0.170	0.209	4.21	3.06	20	3.23
QF500	1 7/8	115	24794	90.7	305.3	177.8	3.8	4.98	8.51	127.0	94.5	610	94.5
		4 1/2	219429	3.57	12.02	7.00	0.15	0.196	0.335	5.00	3.72	24	3.72

Notes: ■ 1 indicates: When used with black insert.

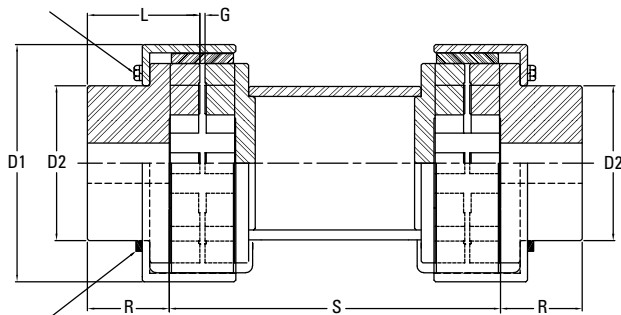
■ 2 indicates: Dimension shown is maximum distance between shafts. Please provide S dimension when ordering.

Double-Ended Spacer Couplings

With High-Speed Covers

Double-Ended Spacer Coupling with High-Speed Covers

Covers on QF250 and larger are fixed in place by eight bolts.



QUICK FLEX couplings up to QF175 are machined with snap-ring grooves to fix the cover in place.

Fig. 19. Double-ended spacer coupling with high-speed covers.

Table 22. QUICK FLEX Insert Continuous Torque Ratings

Coupling Series	Red	Blue	White	Black ¹
	Nm in-lbs	Nm in-lbs	Nm in-lbs	Nm in-lbs
QF5	43	93	93	N/A
	377	819	819	
QF15	120	234	234	N/A
	1059	2075	2075	
QF25	387	730	730	N/A
	3426	6461	6461	
QF50	798	1582	1582	N/A
	7066	14002	14002	
QF100	1602	3177	3177	N/A
	14178	28115	28115	
QF175	2780	5325	5325	N/A
	24602	47123	47123	
QF250	3513	6975	6975	N/A
	31091	61726	61726	
QF500	6790	13051	13051	N/A
	60091	115497	115497	
QF1000	9601	18418	18418	N/A
	84966	162997	162997	

Note: ■ 1 indicates: When using a high-speed cover, the use of a black insert is not recommended. In an application where high torque is present, use a split cover option. Contact your Lovejoy Application Engineer for maximum shaft distance.

Table 23. QUICK FLEX Double-Ended Spacer Coupling with High-Speed Covers Dimensions

Coupling Series	Pilot-Bore Diameter	Maximum Bore Size		Continuous Torque ¹	D1	D2	G _{Min}	G _{Max}	L	R	S ²
		Standard Keyway	Shallow Key								
		in	mm in								
QF15	17/32	40	–	234	80.3	58.7	2.26	2.64	44.5	34.0	2
		1 5/8	–	2075	3.16	2.31	0.089	0.104	1.75	1.34	
QF25	5/8	50	–	730	106.9	81.0	2.54	3.30	60.7	46.0	2
		2 1/8	–	6461	4.21	3.19	0.100	0.130	2.39	1.81	
QF50	23/32	60	–	1582	139.2	89.4	2.67	4.57	75.2	54.9	2
		2 3/8	–	14002	5.48	3.52	0.105	0.180	2.96	2.16	
QF100	15/16	75	–	3177	177.8	108.0	4.57	5.36	86.4	61.0	2
		3	–	28115	7.00	4.25	0.180	0.211	3.40	2.40	
QF175	1	95	–	5325	203.2	139.7	6.43	7.44	95.3	66.5	2
		3 7/8	–	47123	8.00	5.50	0.253	0.293	3.75	2.62	
QF250	1 1/2	105	–	6975	225.6	147.1	4.32	5.31	106.9	77.7	2
		4 1/8	–	61726	8.88	5.79	0.170	0.209	4.21	3.06	
QF500	1 7/8	115	–	13051	273.6	177.8	4.98	6.35	127.0	94.5	2
		4 1/2	–	115497	10.77	7.00	0.196	0.250	5.00	3.72	
QF1000	1 7/8	140	–	18418	308.1	198.4	6.02	8.86	9.86	116.8	2
		5 1/2	6 3/16	162997	12.13	7.81	0.237	0.349	0.388	4.60	

Notes: ■ 1 indicates: When used with blue insert.
 ■ 2 indicates: Customer to provide S dimension when ordering.

Double-Ended Spacer Couplings

With High-Speed Split Covers

Double-Ended Spacer Coupling with High-Speed Split Covers

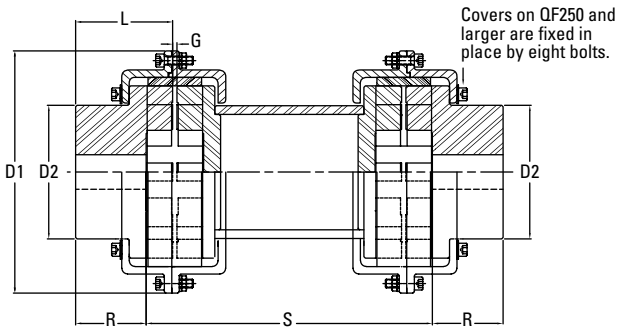


Fig. 20. Double-ended spacer coupling with high-speed split covers (HVSP).

Note: ■ HVSP covers must be ordered for this spacer type.

Table 24. QUICK FLEX Insert Continuous Torque Ratings

Coupling Series	Red	Blue	White	Black
	Nm in-lbs	Nm in-lbs	Nm in-lbs	Nm in-lbs
QF15	150	293	293	452
	1324	2594	2594	4001
QF25	484	913	913	1407
	4283	8077	8077	12449
QF50	998	1978	1978	2992
	8833	17502	17502	26479
QF100	2003	3971	3971	6061
	17723	35144	35144	53642
QF175	3475	6656	6656	9973
	30753	58903	58903	88257
QF250	4391	8718	8718	13438
	38864	77158	77158	118930
QF500	8487	16313	16313	24794
	75114	144372	144372	219429
QF1000	12001	23022	23022	35081
	106208	203746	203746	310466
QF1890	19869	38937	38937	62597
	175840	344594	344594	553982
QF3150	33942	64004	64004	98434
	300387	566434	566434	871139
QF10260	67852	127817	127817	188794
	600494	1131179	1131179	1670826

Table 25. QUICK FLEX Double-Ended Spacer Coupling with High-Speed Split Cover Dimensions

Coupling Series	Pilot-Bore Diameter	Maximum Bore Size		Continuous Torque ¹	D1	D2	G _{Min}	G _{Max}	L	R	S ²
		Standard Keyway	Shallow Key								
		in	mm in								
QF15	17/32	40	–	452	119.4	58.7	2.26	2.64	44.5	34.0	2
		1 5/8	–	4001	4.70	2.31	0.089	0.104	1.75	1.34	
QF25	5/8	50	–	1407	142.7	81.0	2.54	3.30	60.7	46.0	2
		2 1/8	–	12449	5.62	3.19	0.100	0.130	2.39	1.81	
QF50	23/32	60	–	2992	193.5	89.4	2.67	4.60	75.2	54.9	2
		2 3/8	–	26479	7.62	3.52	0.105	0.181	2.96	2.16	
QF100	15/16	75	–	6061	227.3	108.0	5.61	8.13	86.4	61.0	2
		3	–	53642	8.95	4.25	0.221	0.320	3.40	2.40	
QF175	1	95	–	9973	250.2	139.7	6.43	7.98	95.3	66.5	2
		3 7/8	–	88257	9.85	5.50	0.253	0.314	3.75	2.62	
QF250	1 1/2	105	–	13438	266.7	147.1	4.32	5.31	106.9	77.7	2
		4 1/8	–	118930	10.50	5.79	0.170	0.209	4.21	3.06	
QF500	1 7/8	115	–	24794	342.9	177.8	4.98	8.51	127.0	94.5	2
		4 1/2	–	219429	13.5	7.00	0.196	0.335	5.00	3.72	
QF1000	1 7/8	140	–	35081	387.4	198.4	6.02	8.86	152.4	116.8	2
		5 1/2	6 3/16	310466	15.25	7.81	0.237	0.349	6.00	4.60	
QF1890	2 1/2	175	–	62597	450.9	241.3	7.32	10.08	184.4	145.8	2
		6 1/2	7 1/2	553982	17.75	9.50	0.288	0.397	7.26	5.74	
QF3150	2 1/2	205	–	98434	497.6	279.4	4.24	7.85	202.7	157.0	2
		6 1/2	9	871139	19.59	11.00	0.167	0.309	7.98	6.18	
QF10260	2 1/2	280	–	188794	619.3	381.0	5.99	10.77	251.0	183.4	2
		6 1/2	11 1/4	1670826	24.38	15.00	0.236	0.424	9.88	7.22	

Notes: ■ 1 indicates: When used with black insert.

■ 2 indicates: Customer to provide S dimension when ordering.

■ Spacer bodies ordered with high-speed split covers need to be ordered as HVSPCOVER for fitting purposes.

Double-Ended Spacer Couplings

With Aluminum High-Performance (HP) Covers

Double-Ended Spacer Coupling with Aluminum High-Performance (HP) Covers

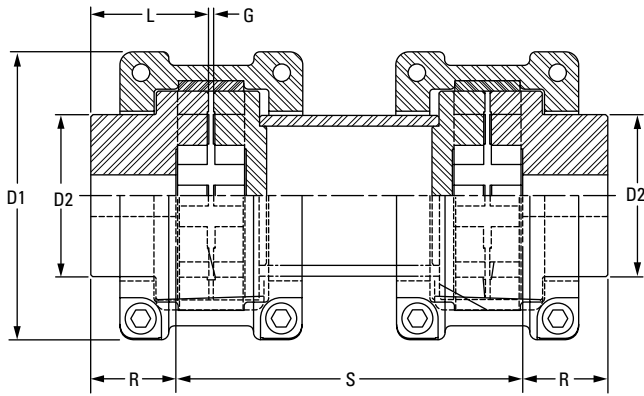


Fig. 21. Double-ended spacer coupling with aluminum high-performance covers.

Table 26. QUICK FLEX Insert Continuous Torque Ratings

Coupling Series	Red	Blue	White	Black
	Nm in-lbs	Nm in-lbs	Nm in-lbs	Nm in-lbs
QF15	150	293	293	452
	1324	2594	2594	4001
QF25	484	913	913	1407
	4283	8077	8077	12449
QF50	998	1978	1978	2992
	8833	17502	17502	26479
QF100	2003	3971	3971	6061
	17723	35144	35144	53642
QF175	3475	6656	6656	9973
	30753	58903	58903	88257
QF250	4391	8718	8718	13438
	38864	77158	77158	118930
QF500	8487	16313	16313	24794
	75114	144372	144372	219429

Table 27. QUICK FLEX Double-Ended Spacer Coupling with Aluminum High-Performance (HP) Cover Dimensions

Coupling Series	Pilot-Bore Diameter	Maximum Bore Size	Continuous Torque ¹	D1	D2	G _{Min}	G _{Max}	L	R	S ²
		Standard Keyway								
	in	mm in	Nm in-lbs	mm in	mm in	mm in	mm in	mm in	mm in	
QF15	17/32	40	452	101.3	58.7	2.26	2.64	44.5	34.0	2
		1 5/8	4001	3.99	2.31	0.089	0.104	1.75	1.34	
QF25	5/8	50	1407	141.2	81.0	2.54	3.30	60.7	46.0	2
		2 1/8	12449	5.56	3.19	0.100	0.130	2.39	1.81	
QF50	23/32	60	2992	184.9	89.4	2.67	3.56	75.2	54.9	2
		2 3/8	26479	7.28	3.52	0.105	0.140	2.96	2.16	
QF100	15/16	75	6061	197.1	108.0	5.61	8.13	86.4	61.0	2
		3	53642	7.76	4.25	0.221	0.320	3.40	2.40	
QF175	1	95	9973	223.8	139.7	6.43	7.98	95.3	66.5	2
		3 7/8	88257	8.81	5.50	0.253	0.314	3.75	2.62	
QF250	1 1/2	105	13438	261.4	147.1	4.32	5.31	106.9	77.7	2
		4 1/8	118930	10.29	5.79	0.170	0.209	4.21	3.06	
QF500	1 7/8	115	24794	305.31	177.8	4.98	8.51	127.0	94.49	2
		4 1/2	219429	12.02	7.00	0.196	0.335	5.00	3.72	

Notes: ■ 1 indicates: When used with black insert.
 ■ 2 indicates: Customer to provide S dimension when ordering.

Double-Ended Spacer Flange Couplings

With High-Speed Split Covers

Double-Ended Spacer Flange Coupling with High-Speed Split Covers

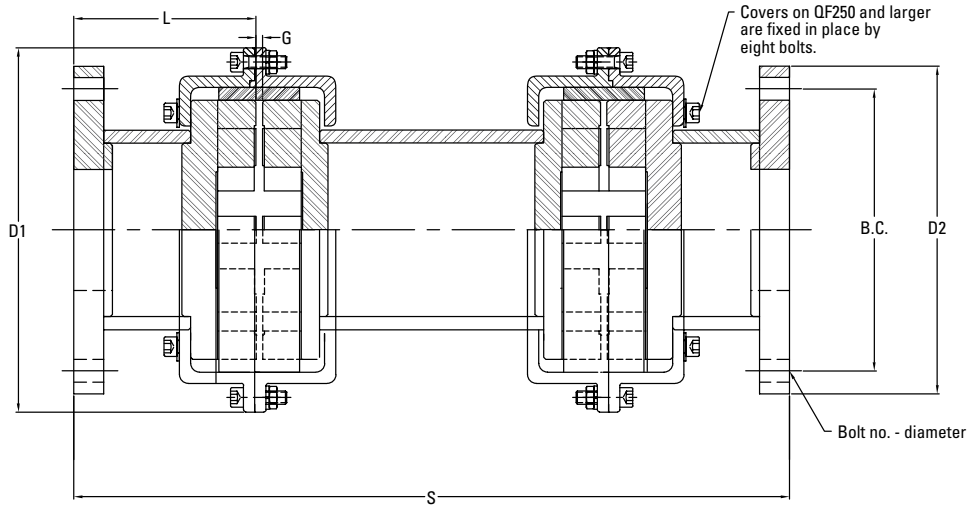


Fig. 22. Double-ended spacer flange coupling with high-speed split covers.

Table 28. QUICK FLEX Double-Ended Spacer Flange Coupling with High-Speed Split Cover Dimensions

Coupling Series	G52 Gear Coupling	Continuous Torque ¹	B.C.	D1	D2	G _{Min}	G _{Max}	L	S ²	S _{Min}
		Nm in-lbs	mm in	mm in	mm in	mm in	mm in	mm in	mm in	mm in
QF25	1010G52	1407	95.3	147.8	115.9	2.54	3.30	59.2	2	198.1
		12449	3.75	5.62	4.56	0.100	0.130	2.33		7.80
QF50	1015G52	2992	122.2	193.5	152.4	2.67	4.60	78.2	2	263.7
		26479	4.81	7.62	6.00	0.105	0.181	3.08		10.38
QF100	1020G52	6061	149.2	227.3	177.8	5.61	8.13	100.1	2	345.4
		53642	5.88	8.95	7.00	0.221	0.320	3.94		13.60
QF175	1025G52	9973	181.0	250.2	212.7	6.43	7.98	112.5	2	374.7
		88257	7.13	9.85	8.38	0.253	0.314	4.43		14.75
QF250	1030G52	13438	206.4	266.7	239.7	4.32	5.31	154.2	2	451.4
		118930	8.13	10.50	9.44	0.170	0.209	6.07		17.77
QF500	1035G52	24794	241.3	342.9	279.4	4.98	8.51	188.2	2	563.9
		219429	9.50	13.50	11.00	0.196	0.335	7.41		22.20
QF500	1040G52	24794	279.4	342.9	317.5	4.98	8.51	188.2	2	563.9
		219429	11.00	13.50	12.50	0.196	0.335	7.41		22.20
QF1000	1045G52	35081	304.8	342.9	346.1	6.02	8.86	192.0	2	580.1
		310466	12.00	15.25	13.63	0.237	0.349	7.56		22.84
QF1890	1050G52	62597	342.9	450.9	389.0	7.32	10.08	219.7	2	673.1
		553982	13.50	17.75	15.31	0.288	0.397	8.65		26.50
QF1890	1055G52	62597	368.3	450.9	425.4	7.32	10.08	219.7	2	673.1
		553982	14.50	17.75	16.75	0.288	0.397	8.65		26.50
QF3150	1060G52	98434	400.1	497.6	457.2	4.24	7.85	209.0	2	644.7
		871138	15.75	19.59	18.00	0.167	0.309	8.23		25.38
QF10260	1070G52	188794	469.9	619.3	527.1	5.99	10.77	258.6	2	850.9
		1670826	18.50	24.38	20.75	0.236	0.424	10.18		33.50
QF10260	1080G52	188794	527.1	619.3	603.3	5.99	10.77	266.5	2	866.1
		1670826	20.75	24.38	23.75	0.236	0.424	10.49		34.10
QF10260	1090G52	188794	590.6	619.3	660.4	5.99	10.77	276.6	2	886.0
		1670826	23.25	24.38	26.00	0.236	0.424	10.89		34.88

Notes: ■ 1 indicates: When used with black insert.

■ 2 indicates: Customer to provide S dimension when ordering.

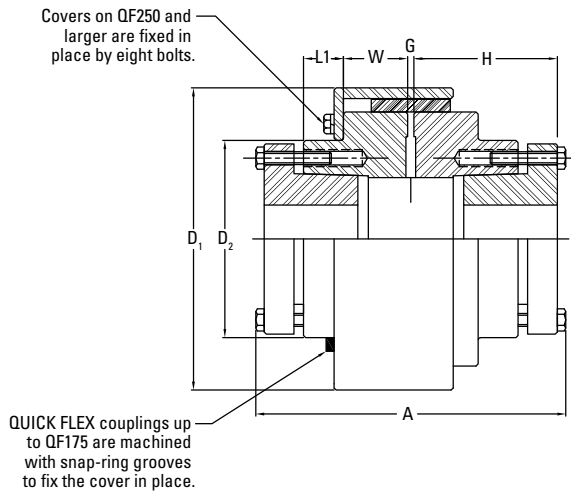
■ Spacer bodies ordered with high-speed split covers need to be ordered as HVSPCOVER for fitting purposes.

Bushing-Style Interchange Couplings

Browning® Style Hubs

Bushing-Style Interchange Couplings

QUICK FLEX Browning Style Hubs



Note: Bushing-style couplings are available with all cover and insert options. Bushings are not supplied with QUICK FLEX bushing-style interchange coupling hubs.

Fig. 23. QUICK FLEX Browning style hubs.

Table 29. QUICK FLEX Browning Style Hub Dimensions

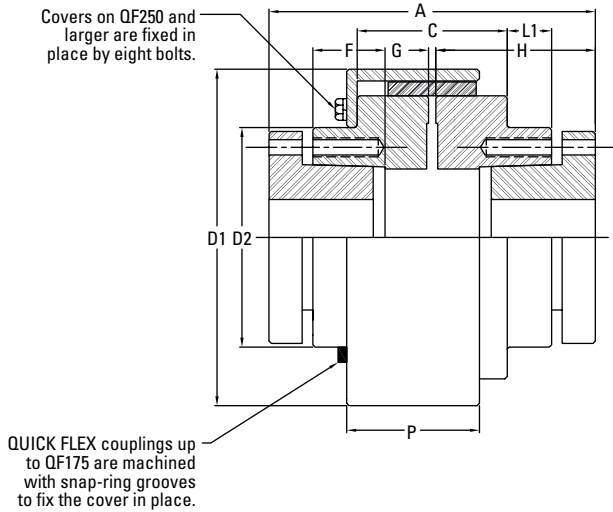
Coupling Series	Bushing Part No.	Bushing Torque Ratings	Bore Range	A	D1	D2	H	L1	W	Wt.
		Nm in-lbs	mm in	mm in	mm in	mm in	mm in	mm in	mm in	kg lbs
QF5	G	203	10 - 25	57.7	63.2	50.8	23.1	11.4	12.7	0.9
		1800	½ - 1	2.27	2.49	2.00	0.91	0.45	0.50	2
QF15 ¹	H	421	10 - 38	78.5	80.3	58.7	33.3	17.8	15.5	2.3
		3730	¾ - 1 ½	3.09	3.16	2.31	1.31	0.70	0.61	5
QF25	P1	1069	14 - 42	153.4	106.9	81.0	70.1	23.4	24.4	3.6
		9460	½ - 1 ¾	6.04	4.21	3.19	2.76	0.92	0.96	8
QF50	P1	1164	14 - 42	165.3	139.7	89.4	75.7	23.6	30.0	5.9
		10300	½ - 1 ¾	6.51	5.50	3.52	2.98	0.93	1.18	13
QF100	Q1	2316	18 - 65	207.8	108.0	108.0	94.5	26.4	41.7	10.9
		20500	¾ - 2 1/16	8.18	4.25	4.25	3.72	1.04	1.64	24
QF175	R1	4621	28 - 95	220.0²	203.2	139.7	100.6	33.8	44.5	15.4
		40900	1 ⅛ - 3 ¾	8.66 ²	8.00	5.50	3.96	1.33	1.75	3.4
QF250	R1	4621	28 - 95	233.1	225.3	147.1	108.2	31.0	47.8	20.4
		40900	1 ⅛ - 3 ¾	9.18	8.87	5.79	4.26	1.22	1.88	45
QF500	S1	5876	42 - 100	326.3	273.6	177.8	152.4	58.7	57.2	43.5
		52000	1 1/16 - 4 ¼	12.85	10.77	7.00	6.00	2.31	2.25	96

- Notes:
- 1 indicates: Available with low-speed split cover only.
 - 2 indicates: For Browning split taper bushings, see table No. 1, page A-1 of Browning catalog.
 - Bushing limits torque rating and speed rating.
 - Lovejoy is not affiliated with EPT®, owner of the Browning® trademark.
 - Dimensions are based on standard cover.

Bushing-Style Interchange Couplings

QD® Style Hubs

QUICK FLEX QD Style Hubs



Note: Bushings are not supplied with QUICK FLEX bushing-style interchange coupling hubs. Bushing-style couplings are available with all cover and insert options.

Fig. 24. QUICK FLEX QD style hubs.

Table 30. QUICK FLEX QD Style Hub Dimensions

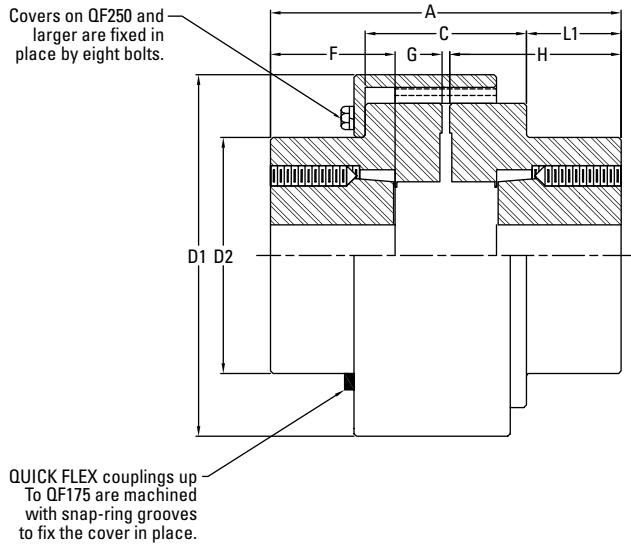
Coupling Series	Bushing Type	Bushing Torque Rating	Bore Range	A	C	D1	D2	F	H	L1	P	Wt.
		Nm in-lbs	mm in	mm in	mm in	mm in	mm in	mm in	mm in	mm in	mm in	kg lbs
QF15 ¹	JA	113	24 - 28	87.8	33.2	80.3	58.7	21.0	42.7	16.3	33.8	2.3
		1000	½ - 1 ¼	3.46	1.31	3.16	2.31	0.83	1.68	0.64	1.33	5
QF25	SD	395	24 - 42	127.9	51.9	106.9	81.0	23.0	62.5	23.9	49.0	4.1
		3500	½ - 1 ⅞	5.04	2.05	4.21	3.19	0.90	2.46	0.94	1.93	9
QF50	SD	565	24 - 42	148.5	63.6	139.7	89.4	31.9	72.4	28.4	45.7	6.8
		5000	½ - 2	5.85	2.50	5.50	3.52	1.25	2.85	1.12	1.80	15
QF100	SK	791	24 - 55	179.7	90.4	177.8	108.0	41.0	86.4	24.6	75.2	11.3
		7000	½ - 2 ⅝	7.07	3.56	7.00	4.25	1.62	3.4	0.97	2.96	25
QF175	SF	1243	28 - 60	197.5	95.8	203.2	139.7	45.1	95.3	29.5	83.1	15.9
		11000	½ - 2 15/16	7.77	3.77	8.00	5.50	1.78	3.75	1.16	3.27	35
QF250	SF	1243	28 - 60	197.4	100.6	225.6	147.1	45.4	96.3	26.7	90.0	21.3
		11000	½ - 2 15/16	7.77	3.96	8.88	5.79	1.79	3.79	1.05	3.50	47
QF500	F	3390	45 - 90	270.5	120.0	273.6	177.8	65.9	132.4	41.4	102.3	44.9
		30000	1 - 4	10.65	4.72	10.77	7.00	2.60	5.21	1.63	4.05	99

Notes: ■ 1 indicates: Available with low-speed split cover only.
 ■ Bushing limits torque rating and speed rating.
 ■ Lovejoy is not affiliated with Baldor, owner of the QD® trademark.
 ■ Dimensions are based on standard cover.

Bushing-Style Interchange Couplings

Taper-Lock® Style Hubs

QUICK FLEX TAPER-LOCK Style Hubs



Note: Bushings are not supplied with QUICK FLEX bushing-style interchange coupling hubs. Bushing-style couplings are available with all cover and insert options.

Fig. 25. QUICK FLEX Taper-Lock style hubs.

Table 31. QUICK FLEX TAPER-LOCK Style Hub Dimensions

Coupling Series	Bushing Type	Bushing Torque Rating	Bore Range	Maximum RPM	A	C	D1	D2	F	H	L1	Wt.
		Nm in-lbs	mm in		mm in	mm in	mm in	mm in	mm in	mm in	mm in	kg lbs
QF5	1108	136	14 - 25	5000	71.9	36.3	63.2	50.8	22.6	34.8	17.8	1.8
		1200	½ - 1 ½		2.83	1.43	2.49	2.00	0.89	1.37	0.70	4
QF25	1610	486	14 - 40	4500	89.7	52.1	106.9	81.0	26.2	43.4	18.8	3.6
		4300	½ - 1 ¾		3.54	2.06	4.21	3.19	1.03	1.71	0.74	8
QF50	2012	808	14 - 48	4000	110.2	47.2	139.7	89.4	38.4	53.3	31.5	6.4
		7150	½ - 1 ⅞		4.34	1.86	5.50	3.52	1.51	2.10	1.24	14
QF100	2517	1311	14 - 65	3200	174.5	90.7	177.8	108.0	75.7	83.8	41.9	11.3
		11600	¾ - 2 1/16		6.87	3.57	7.00	4.25	2.98	3.30	1.65	25
QF175	3020	2712	24 - 75	2800	198.9	95.3	203.2	139.7	79.2	96.0	51.8	15.4
		24000	1 ⅛ - 3 ¼		7.83	3.75	8.00	5.50	3.12	3.78	2.04	34
QF250	3020	2712	24 - 75	2500	203.0	96.4	225.3	147.1	83.6	99.1	53.3	20.9
		24000	1 ⅛ - 3 ¼		7.99	3.79	8.87	5.79	3.29	3.90	2.10	46

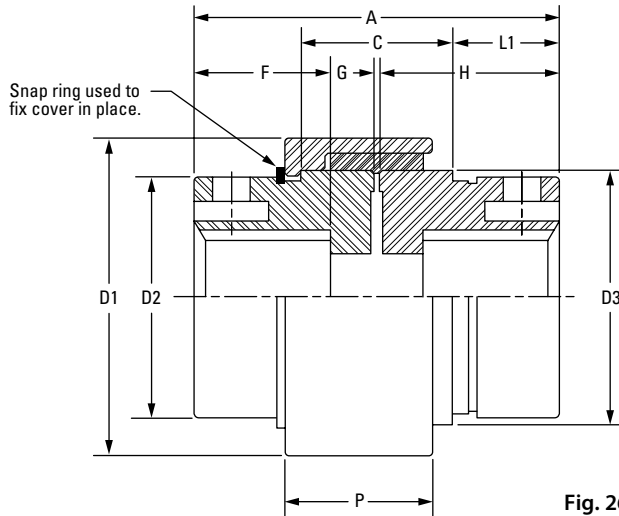
Notes: ■ Bushing limits torque rating and speed rating.
 ■ Lovejoy is not affiliated with Reliance Electric Industrial Company, owner of the TAPER-LOCK® trademark.
 ■ Dimensions are based on standard cover.

Splined-Hub Couplings

Splined Hubs

QUICK FLEX Splined Hubs

All of our splined-hub couplings come standard with blind set screws. Since the set screws never touch the shaft, there is never any damage to the splined shaft, all the while spreading the pressure over a larger area for a tighter compression.



Note: Splined-hub couplings are available with all cover and insert options.

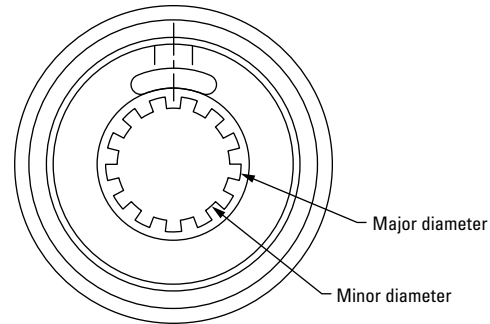


Fig. 26. QUICK FLEX splined hubs.

Table 32. QUICK FLEX Splined-Hub Dimensions

Part Number	Coupling Series	Spline Form				
		No. of Teeth	Pitch	Pitch Diameter	Major Diameter	Minor Diameter
			in	in	in	in
QF25SPL13T16/32	QF25	13	$\frac{16}{32}$	0.813	0.897	0.750
QF25SPL13T8/16	QF25	13	$\frac{8}{16}$	1.625	1.794	1.500
QF25SPL14T12/24	QF25	14	$\frac{12}{24}$	1.167	1.283	1.087
QF50SPL13T16/32	QF50	13	$\frac{16}{32}$	0.813	0.897	0.750
QF50SPL13T8/16	QF50	13	$\frac{8}{16}$	1.625	1.794	1.500
QF50SPL14T12/24	QF50	14	$\frac{12}{24}$	1.167	1.283	1.087

Table 32. (Continued) QUICK FLEX Splined-Hub Dimensions

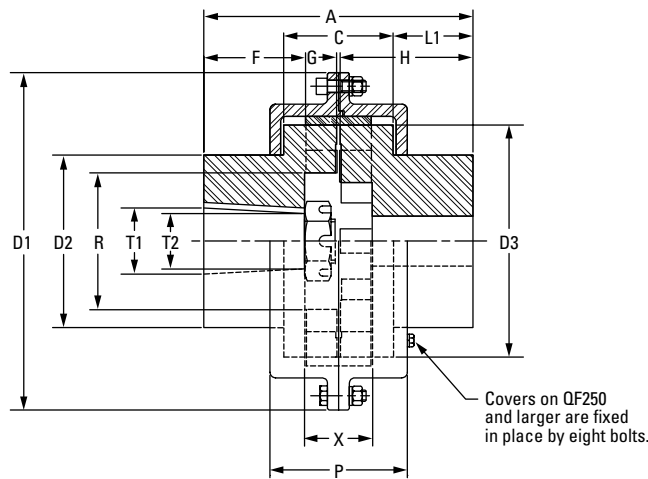
Coupling Series	A	C	D1	D2	D3	F	H	L1	P	Wt.
	mm in	mm in	mm in	mm in	mm in	mm in	mm in	mm in	mm in	kg lbs
QF25	124.3	52.1	106.9	81.0	85.6	46.0	60.7	36.1	49.5	4.5
	4.90	2.06	4.21	3.19	3.37	1.81	2.39	1.42	1.95	10
QF25	124.3	52.1	106.9	81.0	85.6	46.0	60.7	36.1	49.5	4.5
	4.90	2.06	4.21	3.19	3.37	1.81	2.39	1.42	1.95	10
QF25	124.3	52.1	106.9	81.0	85.6	46.0	60.7	36.1	49.5	4.5
	4.90	2.06	4.21	3.19	3.37	1.81	2.39	1.42	1.95	10
QF50	154.0	63.6	139.2	89.4	114.0	54.9	75.2	45.2	60.5	7.7
	6.06	2.50	5.48	3.52	4.49	2.16	2.96	1.78	2.38	17
QF50	154.0	63.6	139.2	89.4	114.0	54.9	75.2	45.2	60.5	7.7
	6.06	2.50	5.48	3.52	4.49	2.16	2.96	1.78	2.38	17
QF50	154.0	63.6	139.2	89.4	114.0	54.9	75.2	45.2	60.5	7.7
	6.06	2.50	5.48	3.52	4.49	2.16	2.96	1.78	2.38	17

Note: ■ Dimensions are based on standard cover.

Mill-Motor Couplings

Mill-Motor Style Hubs

QUICK FLEX Mill-Motor Style Hubs



Note: Mill-motor style couplings are available with all cover and insert options.

Fig. 27. QUICK FLEX mill-motor style hubs.

Table 33. QUICK FLEX Mill-Motor Hub Dimensions

Motor Frame Sizes			Coupling	A	C	D1	D2	D3	F	H	L1	P	R	T1 ¹	T2 ¹	X	Wt.
600 Series	800 Series	AC Series		mm in	mm in	mm in	mm in	mm in	mm in	mm in	mm in	mm in	mm in	mm in	mm in	mm in	mm in
2 602	802 A, B, C	AC 1, 2, 4	QF100 ²	179.7 7.07	90.3 3.55	227.3 8.95	108.0 4.25	150.4 5.92	62.5 2.46	86.4 3.40	44.7 1.76	118.4 4.66	77.5 3.05	43.00 1.694	36.50 1.438	55.6 2.19	21.3 47
			QF250	218.6 8.61	100.2 3.95	266.7 10.50	147.1 5.79	190.0 7.48	76.2 3.00	106.9 4.21	59.2 2.33	118.6 4.67	104.9 4.13	44.50 1.751	36.50 1.438	63.2 2.49	36.7 81
603 604	803 804		QF250	218.6 8.61	100.2 3.95	266.7 10.50	147.1 5.79	190.0 7.48	78.7 3.10	106.9 4.21	59.2 2.33	118.6 4.67	104.9 4.13	49.70 1.958	41.50 1.635	63.2 2.49	36.7 81
			QF500	259.7 10.22	119.9 4.72	342.9 13.50	177.8 7.00	235.0 9.25	88.9 3.50	127.0 5.00	69.9 2.75	149.4 5.88	110.2 4.34	50.80 2.000	41.50 1.635	69.9 2.75	67.6 149
606	806	AC 8,12	QF250 ²	218.6 8.61	100.2 3.95	266.7 10.50	147.1 5.79	190.0 7.48	78.7 3.10	106.9 4.21	59.2 2.33	118.6 4.67	104.9 4.13	61.10 2.406	52.90 2.083	63.2 2.49	36.7 81
			QF500	259.7 10.22	119.9 4.72	342.9 13.50	177.8 7.00	235.0 9.25	95.3 3.75	127.0 5.00	69.9 2.75	149.4 5.88	110.2 4.34	62.80 2.474	52.90 2.083	69.9 2.75	67.6 149
			QF1000	312.2 12.29	129.4 5.09	387.4 15.25	198.4 7.81	266.7 10.50	101.6 4.00	152.4 6.00	91.4 3.60	157.7 6.21	157.2 6.19	63.50 2.500	52.90 2.083	77.2 3.04	102.5 226
608	808	-	QF500 ²	259.7 10.22	119.9 4.72	342.9 13.50	177.8 7.00	235.0 9.25	95.3 3.75	127.0 5.00	69.9 2.75	149.4 5.88	110.2 4.34	74.20 2.922	64.30 2.531	69.9 2.75	67.6 149
			QF1000	312.2 12.29	129.4 5.09	387.4 15.25	198.4 7.81	266.7 10.50	114.3 4.50	152.4 6.00	91.4 3.60	157.7 6.21	157.2 6.19	76.20 3.000	64.30 2.531	77.2 3.04	102.5 226
			QF1890	376.4 14.82	150.4 5.92	450.9 17.75	241.3 9.50	325.1 12.80	114.3 4.50	184.4 7.26	113.0 4.45	185.9 7.32	193.0 7.60	76.20 3.000	64.30 2.531	85.1 3.35	186.0 410
610	810	AC 18	QF1000	312.2 12.29	129.4 5.09	387.4 15.25	198.4 7.81	266.7 10.50	114.3 4.50	152.4 6.00	91.4 3.60	157.7 6.21	155.4 6.12	82.60 3.250	70.60 2.781	77.2 3.04	102.5 226
			QF1890	376.4 14.82	150.4 5.92	450.9 17.75	241.3 9.50	325.1 12.80	114.3 4.50	184.4 7.26	113.0 4.45	185.9 7.32	193.0 7.60	82.60 3.250	70.60 2.781	85.1 3.35	186.0 410
			QF1000	312.2 12.29	129.4 5.09	387.4 15.25	198.4 7.81	266.7 10.50	116.8 4.60	152.4 6.00	91.4 3.60	157.7 6.21	157.2 6.19	91.00 3.583	78.80 3.104	77.2 3.04	102.5 226
612	812	AC 25,30	QF1890	376.4 14.82	150.4 5.92	450.9 17.75	241.3 9.50	325.1 12.80	127.0 5.00	184.4 7.26	113.0 4.45	185.9 7.32	193.0 7.60	92.10 3.625	78.80 3.104	85.1 3.35	186.0 410
			QF1890	376.4 14.82	150.4 5.92	450.9 17.75	241.3 9.50	325.1 12.80	127.0 5.00	184.4 7.26	113.0 4.45	185.9 7.32	193.0 7.60	108.00 4.250	94.70 3.729	85.1 3.35	186.0 410

Notes: ■ 1 indicates: Standard mill-motor taper (1.25 in per foot on diameter).
 ■ 2 indicates: May need to use standard socket to tighten mill motor nut. Impact socket may not fit.
 ■ Dimensions are based on standard cover.

Notes

Storage of Components

Storage of Components

Lovejoy suggests the following storage guidelines for its coupling components (hereinafter referred to as “products”):

- Unless directed otherwise by Lovejoy, products should be kept in their original packaging until they are ready to be placed into service
- Do not remove or alter any labels or stencil markings on the packaging
- Products should be stored in such a way that the packaging is not pierced, crushed or otherwise damaged
- After a product is removed from its packaging, it should be placed into service as soon as possible
- When removing a product that is not individually packaged from a bulk pack container, the container should be resealed immediately after the product is removed
- The relative humidity should be maintained below 60 percent and the surfaces should be dry
- The storage area should be kept free from airborne contaminants such as, but not limited to, dust, dirt, harmful vapors, etc.
- Extreme conditions of any kind should be avoided

Inasmuch as Lovejoy is not familiar with a customer’s particular storage conditions, these guidelines are strongly suggested. However, the customer may very well be required by circumstance or applicable government requirements to adhere to stricter storage requirements.

Upon receipt of a product shipment, ensure that the product is not removed from its packaging until it is ready for mounting so that it does not become corroded or contaminated. Product should be stored in an appropriate atmosphere in order that it remains protected for the intended period.

Any questions concerning storage should be directed to your local sales office.

Notes

Notes

Notes

QUICK FLEX® Couplings

Easy-to-install elastomeric couplings designed to withstand harsh conditions.



Better Performance. Less Maintenance.



Lovejoy, LLC
2655 Wisconsin Avenue
Downers Grove, IL 60515

630-852-0500
630-852-2120 fax
info@lovejoy-inc.com

www.lovejoy-inc.com