



LH COUPLINGS

Lovejoy®, the acknowledged worldwide leader in the jaw couplings, introduces the industry standard overall length LH coupling design. Lovejoy Hydraulics LH coupling is designed specifically for hydraulic applications. The shortened overall length allows for easy replacement and installation with four insert durometers available. The LH design also offers more torque capacity when compared to other similar hydraulic couplings. With nine hydraulic coupling sizes available, Lovejoy has a product line to fill all of your hydraulic application needs.

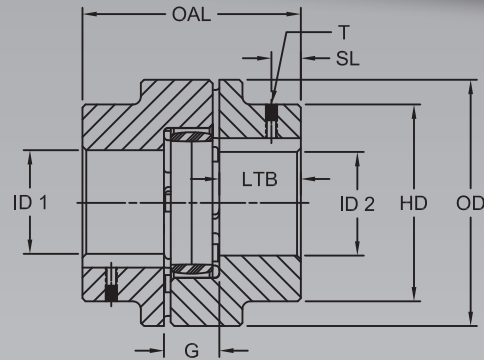
Features:

- Industry Standard Overall Length
- Four insert options
- Standard spline bores available per SAE specification
- Fail-safe - performs even if elastomer fails
- No metal to metal contact



Benefits:

- Superior torque capacity verses industry standard design
- Quickship delivery on standard bore and keyway combinations
- Resistant to hydraulic fluid, oil, grease, dirt and moisture
- Hubs available in cast or sintered iron
- Lovejoy quality, service and over 100 years of experience



LH Coupling Dimensional Data

Size	OAL Overall Length in	ID1 - ID2		OD Outside Diameter in	HD Hub Diameter in	Length of OD Turn Down in	G Gap in	LTB Length Through Bore in	SL Setscrew Location in	Setscrew Torque in-lbs	T Setscrew Size in
		Min Bore in	Max Bore in								
LH100	2.54	.315	1.125	2.56	1.89	0.60	0.79	0.875	0.31	32-36	1/4-20
LH200	3.10	.472	1.375	3.15	2.60	0.77	0.94	1.080	0.38	32-36	1/4-20
LH300	3.56	.472	1.625	3.74	2.95	0.88	1.02	1.270	0.44	150-165	5/16-18
LH400	4.24	.669	1.875	4.13	3.35	1.14	1.10	1.570	0.50	150-165	5/16-18
LH500	4.67	.748	2.375	5.31	4.53	1.09	1.18	1.745	0.50	150-165	5/16-18
LH600	5.98	1.063	2.625	6.30	5.31	1.58	1.38	2.300	0.75	260-290	3/8-16
LH700	6.99	1.260	2.875	7.87	6.30	1.87	1.57	2.710	0.88	260-290	3/8-16
LH800	7.99	1.575	3.875	8.86	7.87	2.18	1.77	3.110	1.00	260-290	3/8-16
LH900	10.15	2.441	4.750	10.04	9.06	3.05	2.17	3.990	1.50	540-600	1/2-13

LH Coupling Performance Data

Size	80A Shore Insert (Blue)					92A Shore Insert (Yellow)					95/98A Shore Insert (Red)					64D Shore Insert (Green)				
	Nomial Torque		Rated HP @			Nomial Torque		Rated HP @			Nomial Torque		Rated HP @			Nomial Torque		Rated HP @		
	in-lbs	Nm	100 RPM	1200 RPM	1800 RPM	in-lbs	Nm	100 RPM	1200 RPM	1800 RPM	in-lbs	Nm	100 RPM	1200 RPM	1800 RPM	in-lbs	Nm	100 RPM	1200 RPM	1800 RPM
LH100	338	38	0.6	8.0	12.0	665	75	1.3	16.0	24.0	1,120	127	2.3	25.0	40.0	1,400	158	2.5	30.0	50.0
LH200	807	91	1.3	16.0	47.0	1,650	186	2.7	32.0	45.0	2,850	322	4.7	55.0	80.0	3,550	401	5.4	65.0	100.0
LH300	-	-	-	-	-	2,345	265	3.7	45.0	65.0	3,980	450	6.5	75.0	110.0	4,955	560	7.5	90.0	140.0
LH400	-	-	-	-	-	2,740	310	4.3	52.0	75.0	4,645	525	4.4	85.0	125.0	5,795	655	9.2	110.0	165.0
LH500	-	-	-	-	-	5,530	625	5.9	105.0	150.0	8,320	940	9.1	150.0	225.0	10,395	1 174	15.8	190.0	290.0
LH600	-	-	-	-	-	11,320	1 279	13.7	215.0	320.0	16,990	1 920	21.1	320.0	480.0	21,240	2 400	33.3	400.0	600.0
LH700	-	-	-	-	-	21,000	2 373	33.7	400.0	600.0	31,500	3 559	55.6	600.0	900.0	39,500	4 463	62.5	750.0	1125.0
LH800	-	-	-	-	-	29,200	3 299	46.3	550.0	825.0	43,805	4 949	69.5	800.0	1250.0	54,735	6 184	86.7	1040.0	1550.0
LH900	-	-	-	-	-	42,480	4 799	56.2	800.0	1210.0	63,720	7 199	84.2	1280.0	1820.0	79,650	8 999	126.3	1515.0	2275.0

Lovejoy offers additional coupling styles that may provide further advantages and can be reviewed with your Lovejoy Sales Representative or found on Lovejoy's website at www.lovejoy-inc.com.

Lovejoy, Inc.
World Headquarters
 2655 Wisconsin Avenue
 Downers Grove, IL 60515
 Phone: 630-852-0500
 Fax: 630-852-2120
lovejoyhydraulics@lovejoy-inc.com

www.lovejoyhydraulics.com

ISO 9001:2008 Certified



THE FPDA
 MOTION & CONTROL NETWORK
 MEMBER